



HABITAT
MATTER

habitatmatter.com
spec@habitatmatter.com

IMPACT ACOUSTIC®

SUPRA

Desk Division



TECHNICAL DATA SHEET

SUPRA 450

Desk Division

The SUPRA acoustic partition wall follows the trend of dematerialization where all unnecessary parts of an acoustic workstation partition have been removed. A simple, adaptable and functional system that works with sliding workstation tabletop.

ARTICLE NUMBER

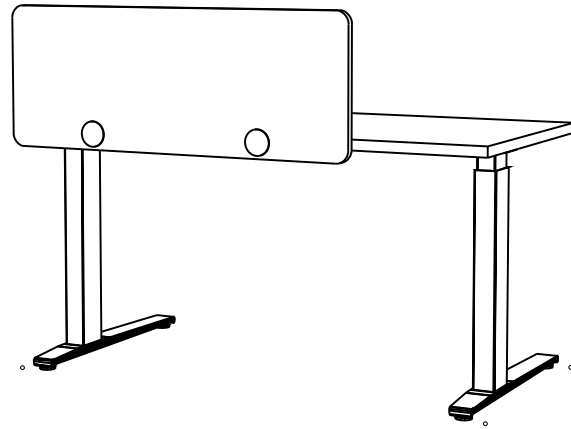
745.24.10.000.00

DIMENSIONS

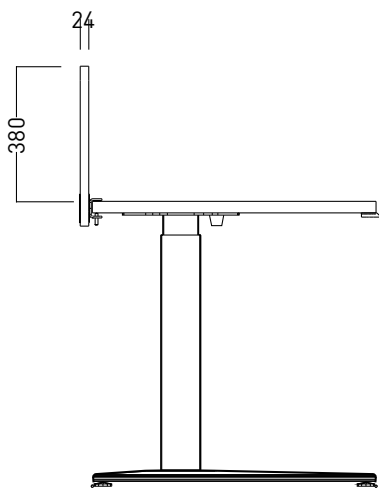
Length: 1180 mm 46.45"
Width: 450 mm 17.71"
Thickness: 24mm 0.94"

CONNECTION

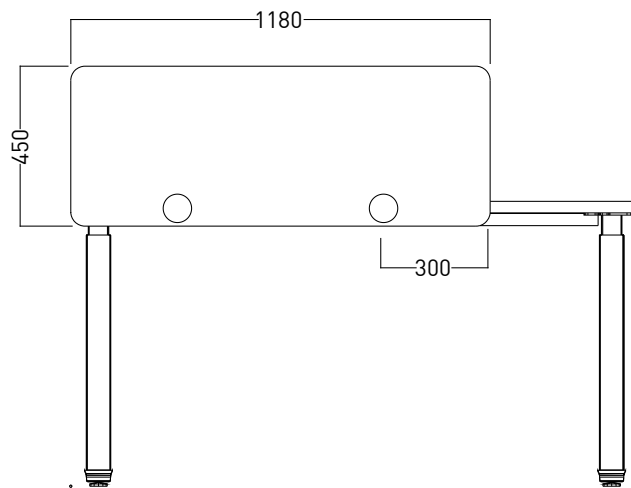
SUPRA is held by powder coated circular brackets that can be mounted to any standard workstation tabletop.



SIDE



FRONT



SUPRA 450

Desk Division

The SUPRA acoustic partition wall follows the trend of dematerialization where all unnecessary parts of an acoustic workstation partition have been removed. A simple, adaptable and functional system that works with sliding workstation tabletop.

ARTICLE NUMBER

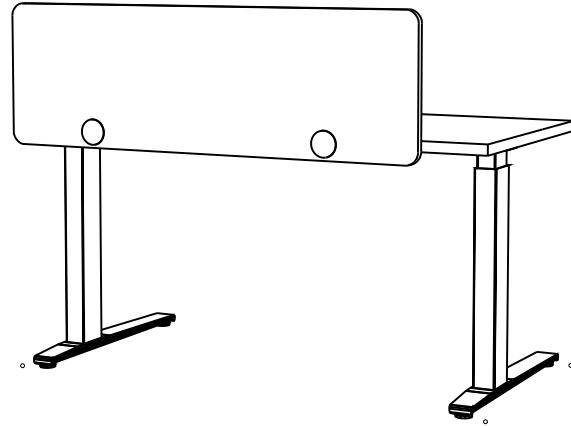
745.24.11.000.00

DIMENSIONS

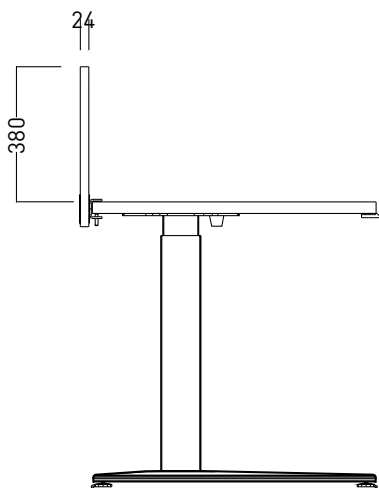
Length:	1400 mm	46.45"
Width:	450 mm	55.11"
Thickness:	24mm	0.94"

CONNECTION

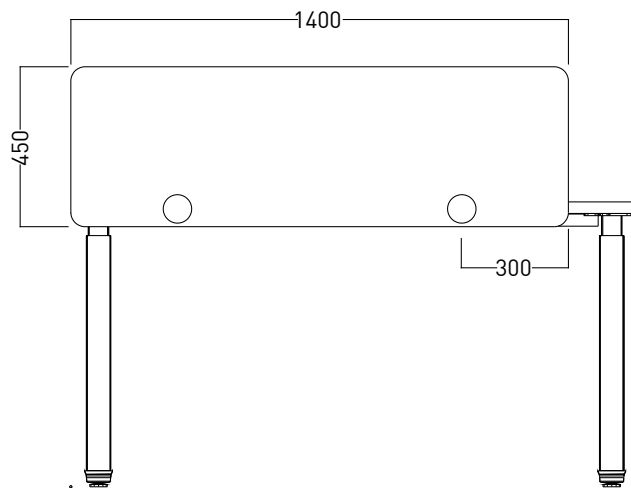
SUPRA is held by powder coated circular brackets that can be mounted to any standard workstation tabletop.



SIDE



FRONT



SUPRA 450

Desk Division

The SUPRA acoustic partition wall follows the trend of dematerialization where all unnecessary parts of an acoustic workstation partition have been removed. A simple, adaptable and functional system that works with sliding workstation tabletop.

ARTICLE NUMBER

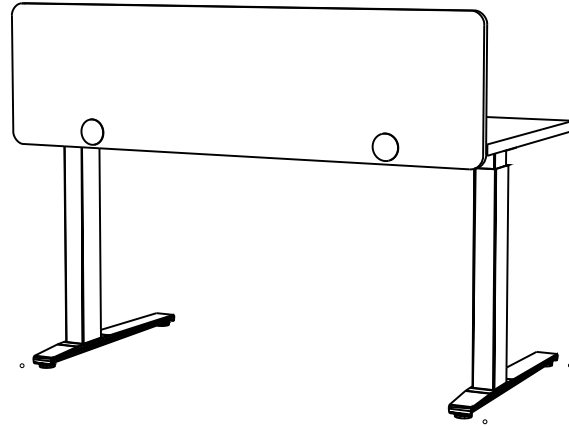
745.24.12.000.00

DIMENSIONS

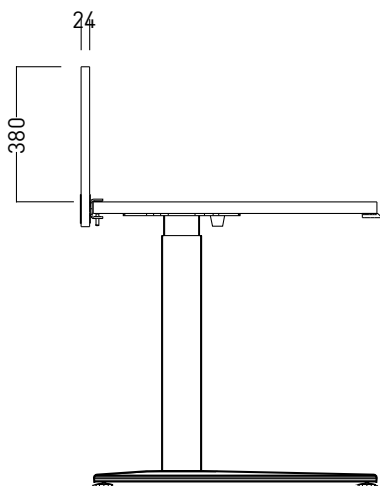
Length:	1600 mm	62.99"
Width:	450 mm	55.11"
Thickness:	24mm	0.94"

CONNECTION

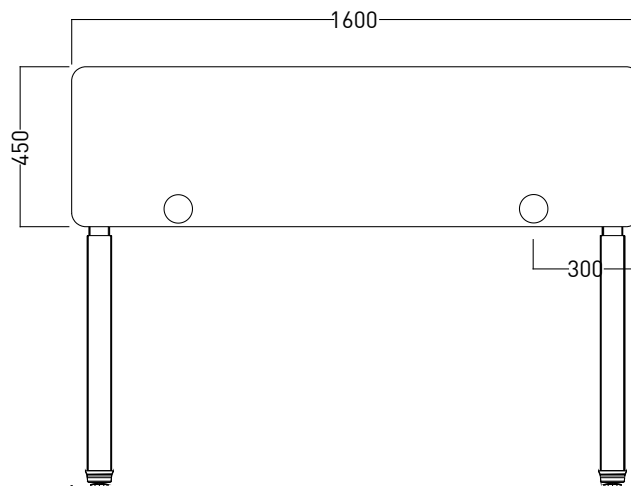
SUPRA is held by powder coated circular brackets that can be mounted to any standard workstation tabletop.



SIDE



FRONT



TECHNICAL DATA SHEET



HABITAT
MATTER

habitatmatter.com
spec@habitatmatter.com

IMPACT ACOUSTIC®, Bodenhof 4, 6014 Lucerne, Switzerland

SUPRA 450

Desk Division

The SUPRA acoustic partition wall follows the trend of dematerialization where all unnecessary parts of an acoustic workstation partition have been removed. A simple, adaptable and functional system that works with sliding workstation tabletop.

ARTICLE NUMBER

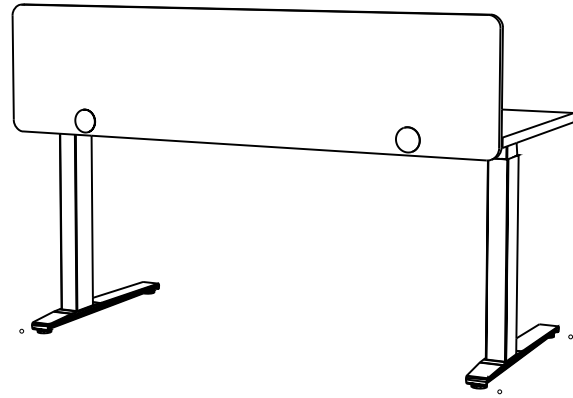
745.24.13.000.00

DIMENSIONS

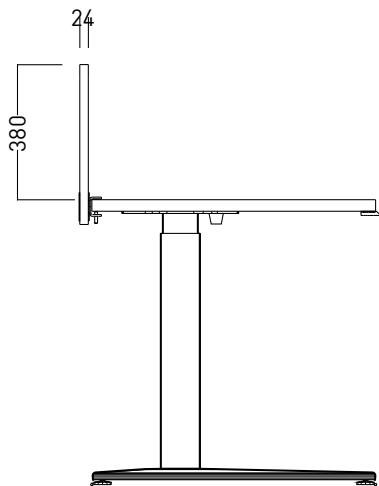
Length:	1800 mm	70.86"
Width:	450 mm	55.11"
Thickness:	24mm	0.94"

CONNECTION

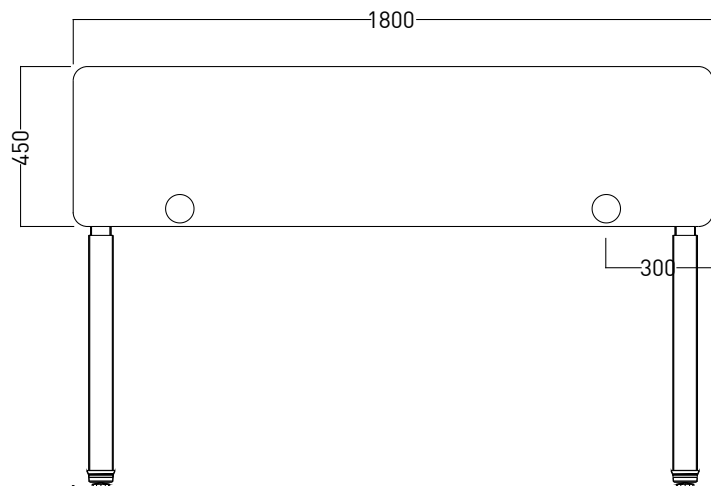
SUPRA is held by powder coated circular brackets that can be mounted to any standard workstation tabletop.



SIDE



FRONT



HABITAT
MATTER

habitatmatter.com
spec@habitatmatter.com

IMPACT ACOUSTIC®, Bodenhof 4, 6014 Lucerne, Switzerland

SUPRA 550

Desk Division

The SUPRA acoustic partition wall follows the trend of dematerialization where all unnecessary parts of an acoustic workstation partition have been removed. A simple, adaptable and functional system that works with sliding workstation tabletop.

ARTICLE NUMBER

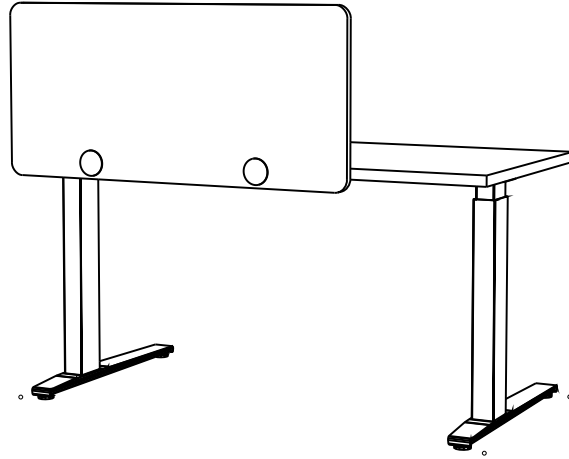
745.24.10.000.00

DIMENSIONS

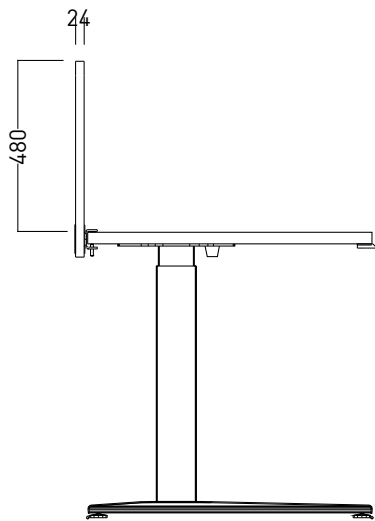
Length:	1180 mm	46.45"
Width:	550 mm	51.65"
Thickness:	24mm	0.94"

CONNECTION

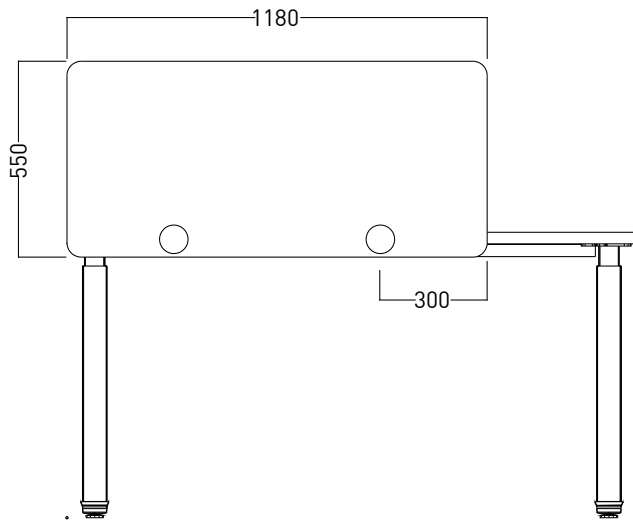
SUPRA is held by powder coated circular brackets that can be mounted to any standard workstation tabletop.



SIDE



FRONT



HABITAT
MATTER

habitatmatter.com
spec@habitatmatter.com

IMPACT ACOUSTIC®, Bodenhof 4, 6014 Lucerne, Switzerland

SUPRA 550

Desk Division

The SUPRA acoustic partition wall follows the trend of dematerialization where all unnecessary parts of an acoustic workstation partition have been removed. A simple, adaptable and functional system that works with sliding workstation tabletop.

ARTICLE NUMBER

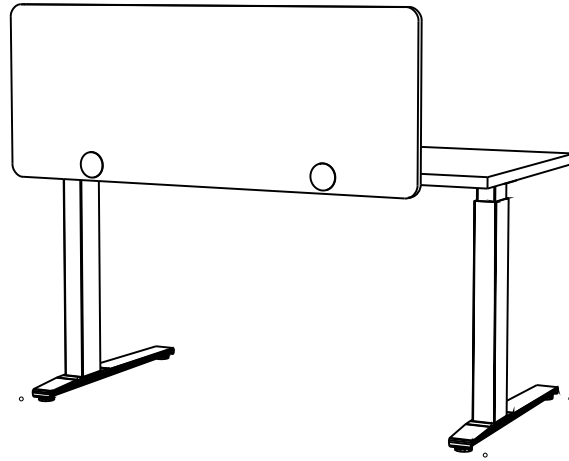
745.24.11.000.00

DIMENSIONS

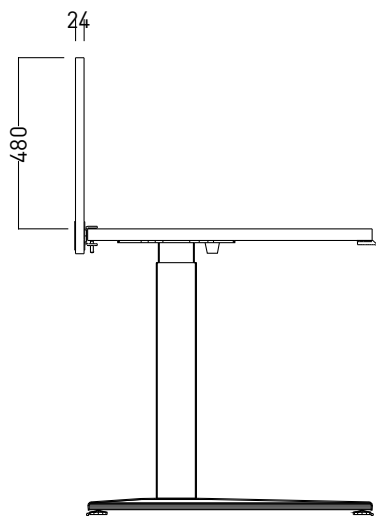
Length:	1400 mm	46.45"
Width:	550 mm	51.65"
Thickness:	24mm	0.94"

CONNECTION

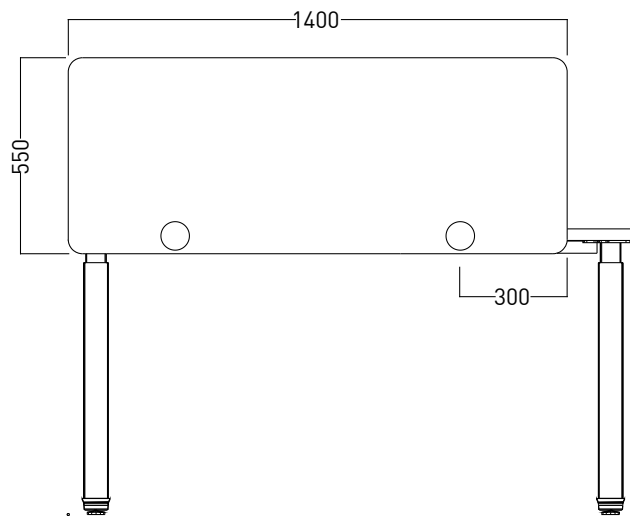
SUPRA is held by powder coated circular brackets that can be mounted to any standard workstation tabletop.



SIDE



FRONT



HABITAT
MATTER

habitatmatter.com
spec@habitatmatter.com

IMPACT ACOUSTIC®, Bodenhof 4, 6014 Lucerne, Switzerland

SUPRA 550

Desk Division

The SUPRA acoustic partition wall follows the trend of dematerialization where all unnecessary parts of an acoustic workstation partition have been removed. A simple, adaptable and functional system that works with sliding workstation tabletop.

ARTICLE NUMBER

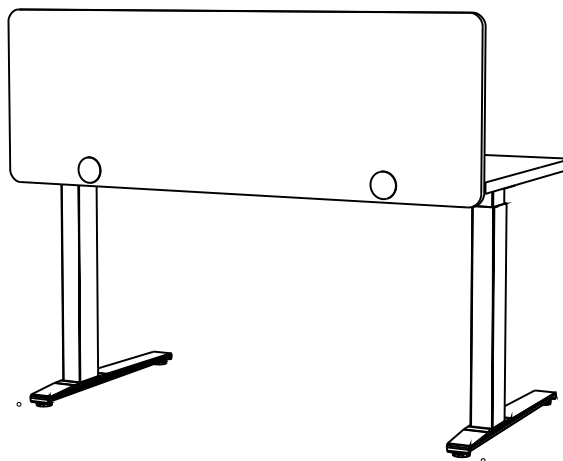
745.24.12.000.00

DIMENSIONS

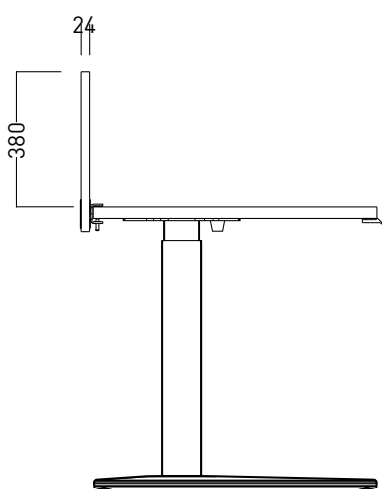
Length:	1600 mm	62.99"
Width:	550 mm	51.65"
Thickness:	24mm	0.94"

CONNECTION

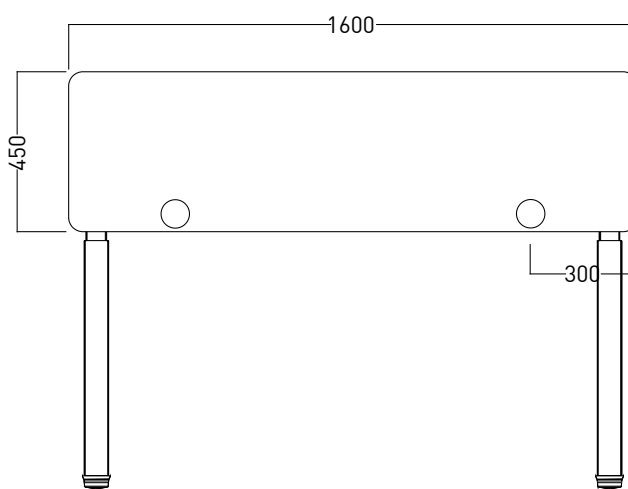
SUPRA is held by powder coated circular brackets that can be mounted to any standard workstation tabletop.



SIDE



FRONT



HABITAT
MATTER

habitatmatter.com
spec@habitatmatter.com

IMPACT ACOUSTIC®, Bodenhof 4, 6014 Lucerne, Switzerland

SUPRA 550

Desk Division

The SUPRA acoustic partition wall follows the trend of dematerialization where all unnecessary parts of an acoustic workstation partition have been removed. A simple, adaptable and functional system that works with sliding workstation tabletop.

ARTICLE NUMBER

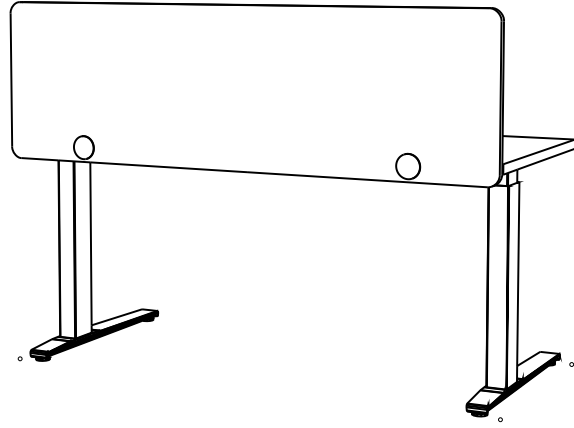
745.24.13.000.00

DIMENSIONS

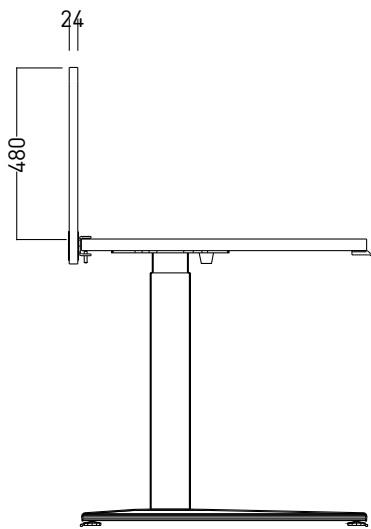
Length:	1800 mm	70.86"
Width:	550 mm	51.65"
Thickness:	24mm	0.94"

CONNECTION

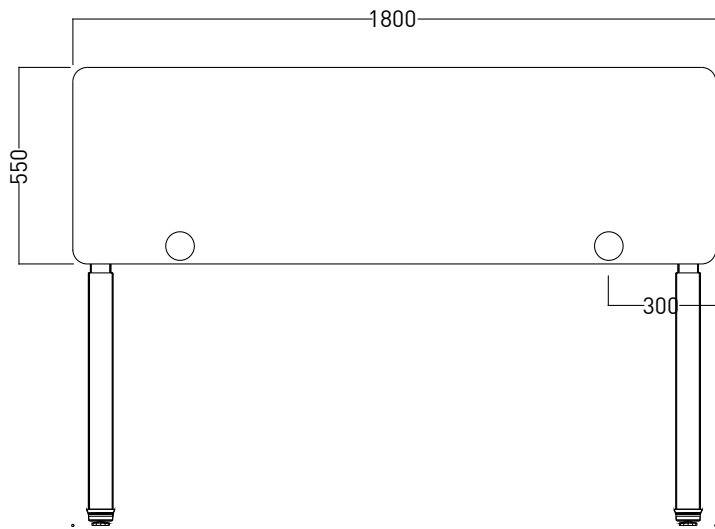
SUPRA is held by powder coated circular brackets that can be mounted to any standard workstation tabletop.



SIDE



FRONT



TECHNICAL DATA SHEET



HABITAT
MATTER

habitatmatter.com
spec@habitatmatter.com

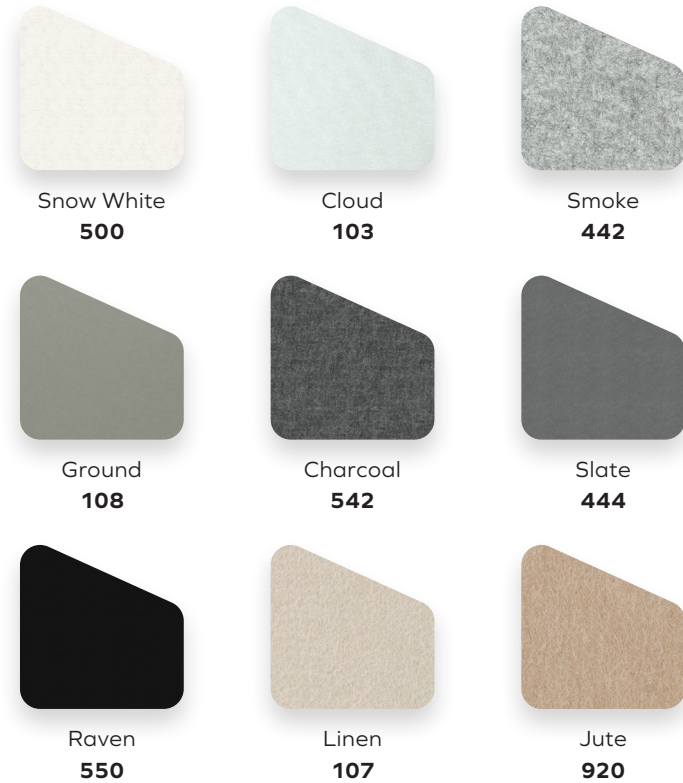
IMPACT ACOUSTIC®, Bodenhof 4, 6014 Lucerne, Switzerland

ARCHISONIC® Colours

Quiet Neutrals

12mm & 24 mm

These shades work in harmony with natural textural materials and soften industrial environments. From light to dark and cool to warm, these are the foundations of any scheme where longevity and a mood of calm is desired.



Warm Naturals

12mm & 24 mm

Combinations of lighter toned neutrals and pinks have a gently soothing and restorative effect while the more saturated hues make perfect environments for relaxation.



ARCHISONIC® Colours

Living Greens

12mm & 24 mm

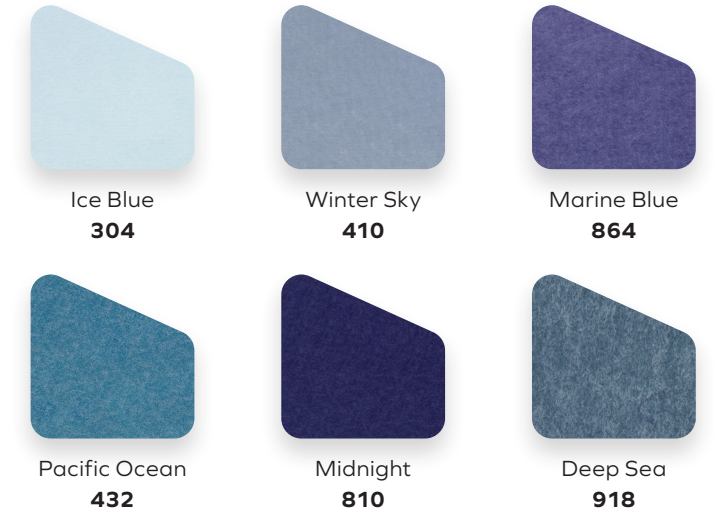
From the cool greens of forests to the yellowed aspect of young wheat, we see Living Greens breathing life into indoor spaces, and an essential palette for the future. Use in tonal layers brings the depth and diversity of green, while a single note can provide an amplifying backdrop to a biophilic space.



Elemental Blues

12mm & 24 mm

These blues work perfectly both as familiar single hues and in effortless tonal layers to create an immersive environment for focus or restoration.



ARCHISONIC® Colours

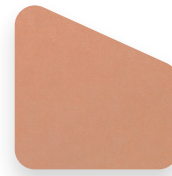
Soothing Pastels

12mm & 24 mm

With tonal duos of pink and blue and green, this perfectly balanced group is designed for peaceful plays on light and shade and playful contrast. While the lightest tones have a dreamlike quality, their deeper counterparts add a subtle grounding.



Shell Pink
102



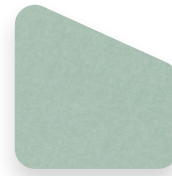
Soft Coral
516



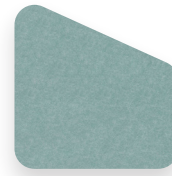
Ice Blue
304



Winter Sky
410



Spearmint
706



Succulent
712

Elegant Darks

12mm & 24 mm

While colour can create a mood, it is the depth or lightness of a hue that truly defines the emotion. While each hue has the strength to stand alone, beautiful effects can be achieved with harmonized pairs.



Garnet
724



Marine Blue
864



Midnight
810



Nordic Pine
311



Raven
550

ARCHISONIC® Colours

Energetic Brights

12mm & 24 mm

There are no rules here with endless possibilities for clashing contrasts or surprising highlights. For a sophisticated use of energetic colour, take a single hue and colour match contrasting textiles and solid surfaces.



Pacific Ocean
432



Moss
439



Sunshine
846



Electric Orange
464



Hot Pink
140

Primary Play

12mm & 24 mm

The primary story happens when all three main colours are used together, with varied proportions creating differing moods. As with the Energetic Brights palette, combine with coordinating-coloured textiles and solid surfaces.



Snow White
500



Charcoal
542



Sunshine
846



Poster Red
662



Marine Blue
864

DIMENSIONS

ARCHISONIC® 24 mm 1800 x 2400 x 24 mm (70" x 94" x 0.94")

ARCHISONIC® 12 mm 1200 x 2800 x 12 mm (47" x 10" x 0.47")



HABITAT
MATTER

habitatmatter.com
spec@habitatmatter.com

COMPOSITION

100% PET (min. 60% post-consumer)

FIRE TEST

DIN EN 13501-1 B-s1, d0

ASTM E-84 Class A

VOC EMISSION

CDPH 01350 Pass

ISO 16000 (CDPH/EHLB/Standard Method V1.2.)

EN 16516

COLOUR FASTNESS

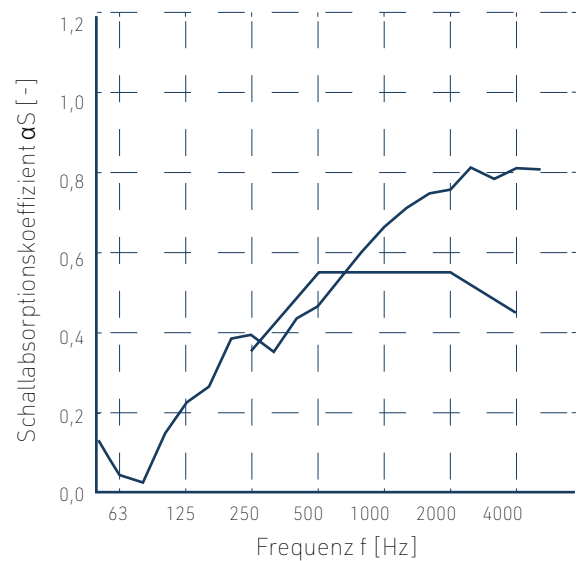
EN ISO 105-B02, A1 Grade 6

SOUND ABSORPTION

DIN ISO 11654

24 mm aw 0.55 (no air gap)
aw 0.65 (50 mm / 2" air gap)
aw 0.90 (100 mm / 4" air gap)
aw 0.95 (200 mm / 8" air gap)
aw 0.95 (300 mm / 11" air gap).

12 mm aw 0.30 (no air gap)



MATERIAL REUTILISATION

ARCHISONIC® 24 mm 88 plastic bottles/m²

ARCHISONIC® 12 mm 53 plastic bottles/m²

ENVIRONMENTAL

Cradle to Cradle Certified™

Product qualifies for LEED v4 specifications on VOC emissions in LEED EQ credit (Low-emitting products)



SUPPORTED BY

Climate KIC

