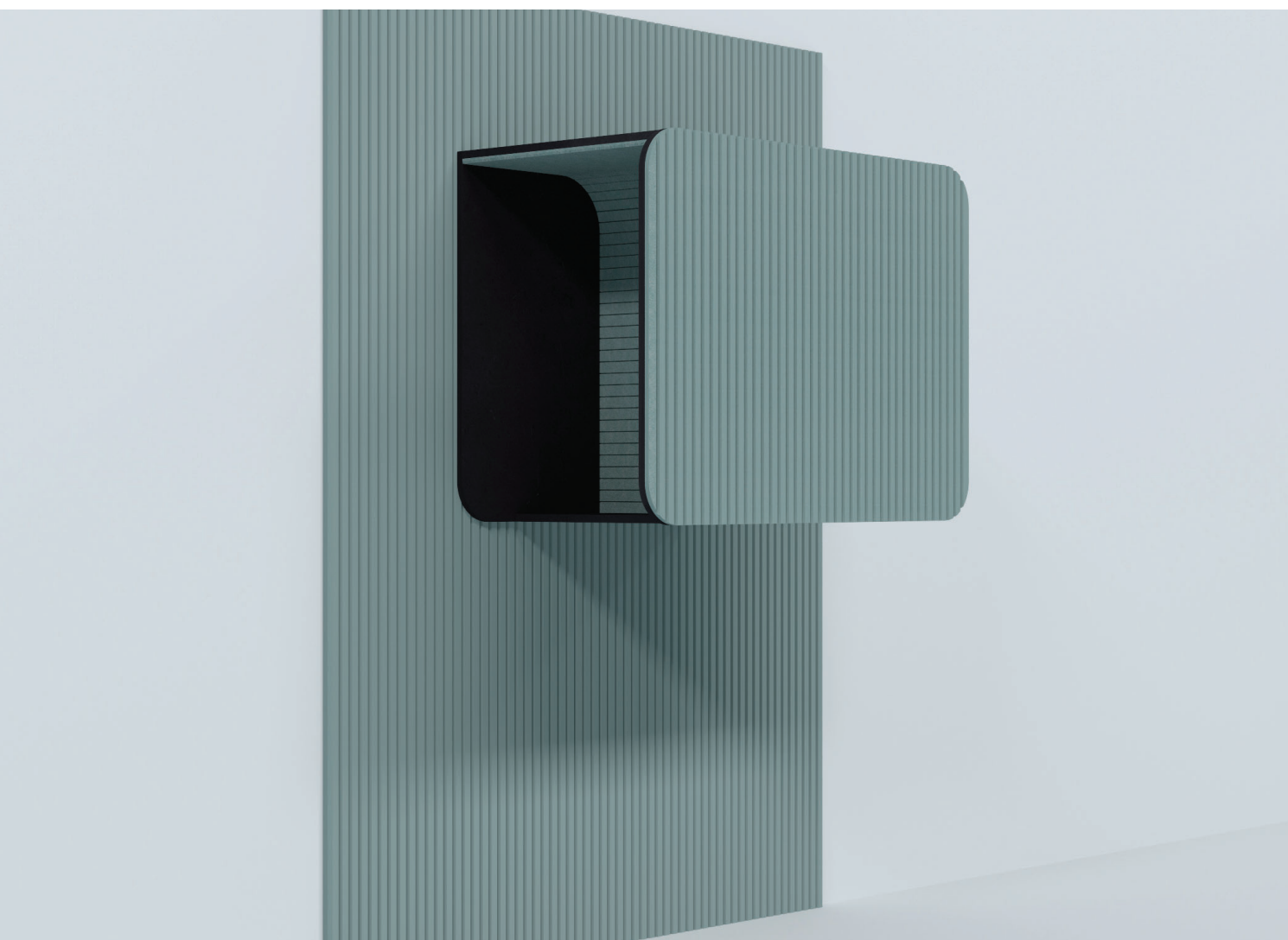


CLOAK

Accessory



CLOAK

Accessory

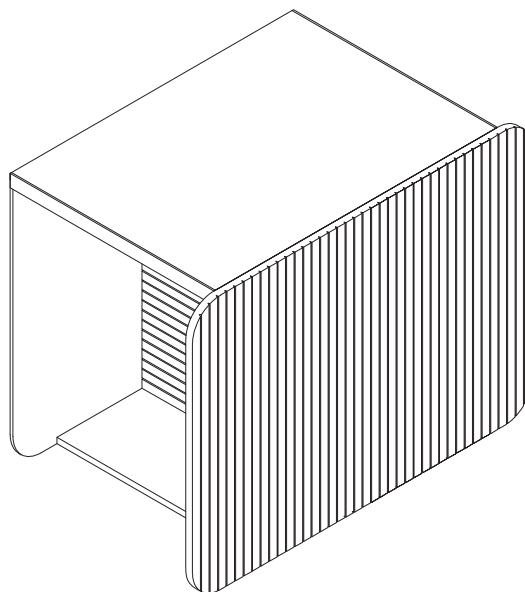
CLOAK is a wall-mounted acoustic hood. A stylish solution to having a peaceful mobile phone conversation in noisy surroundings. Perfect for open spaces like offices, schools, airports and cafeterias.

DIMENSIONS

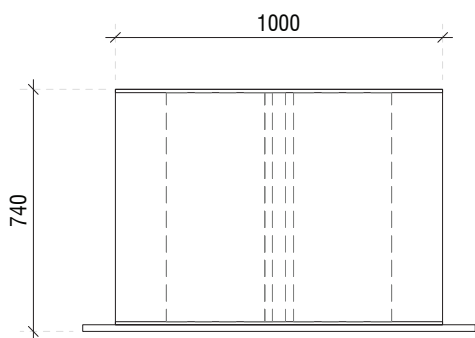
Length:	1200 mm	47.24"
Height:	900 mm	35.43"
Depth:	740 mm	29.13"

CONNECTION

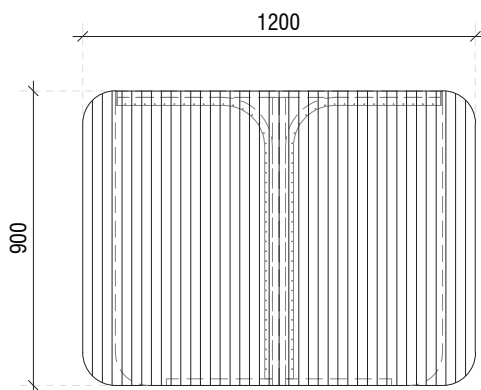
FULLWRAP is held by powder coated round metal adaptors, which can be mounted on to any standard workstation tabletop.



PLAN



FRONT



SIDE



ARCHISONIC®

Colour Families

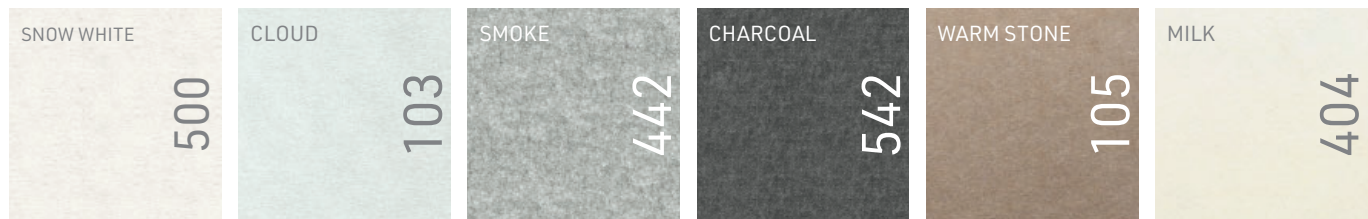
ARCHISONIC® is a high-performance sustainable acoustic absorber made from upcycled plastic bottles which is Cradle to Cradle certified and LEED accredited.

ARCHISONIC® is manufactured at the highest quality standards, yet slight color and surface deviations caused by the high degree of recycled fiber are an inevitable part of the product characteristics and do not claim warranty services.

Material varies in colour when shown in monitor or in print. Please request a material sample to verify colours.

QUIET NEUTRALS

12 mm



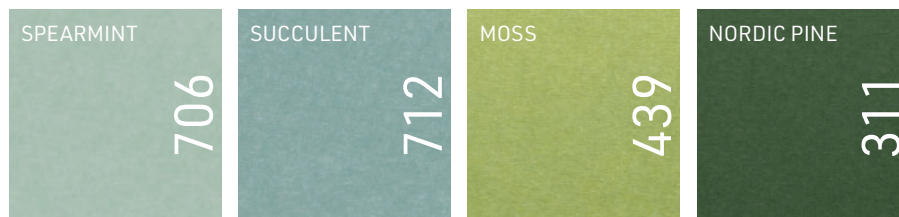
WARM NEUTRALS

12 mm



LIVING GREENS

12 mm



ELEMENTAL BLUES

12 mm



SOOTHING PASTELS

12 mm



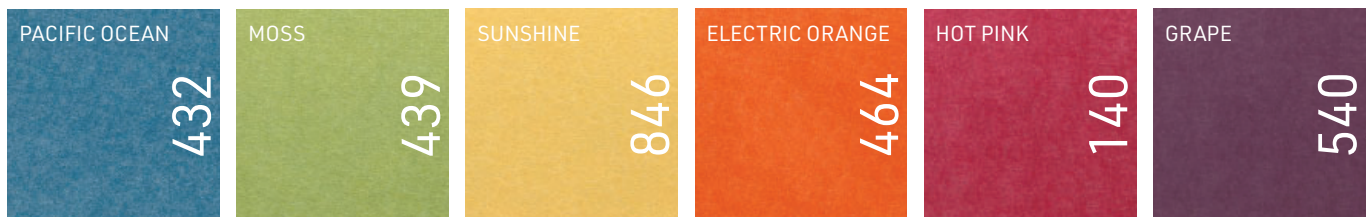
ELEGANT DARKS

12 mm



ENERGETIC BRIGHTS

12 mm



PRIMARY PLAY

12 mm



DIMENSIONS

ARCHISONIC® 24 mm 1800 x 2400 x 24 mm (70" x 94" x 0.94")
ARCHISONIC® 12 mm 1200 x 2800 x 12 mm (47" x 10" x 0.47")

COMPOSITION

100% PET (min. 60% post-consumer)

FIRE TEST

DIN EN 13501-1 B-s1, d0
ASTM E-84 Class A

VOC EMISSION

CDPH 01350 Pass
ISO 16000 (CDPH/EHLB/Standard Method V1.2.)
EN 16516

COLOUR FASTENESS

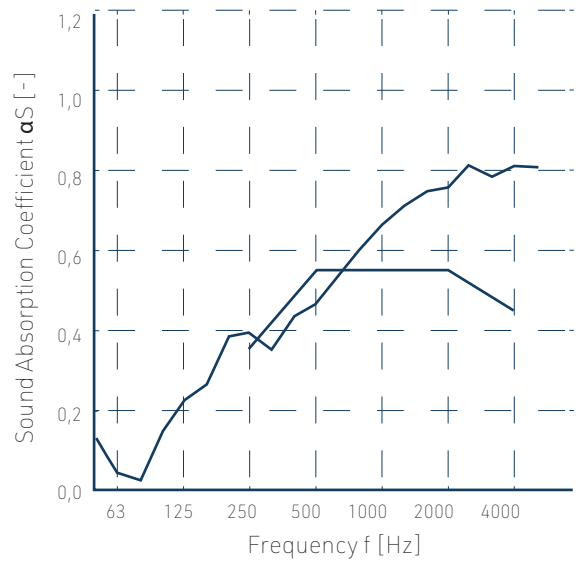
EN ISO 105-B02, A1 Grade 6

SOUND ABSORPTION

DIN ISO 11654

24 mm aw 0.55 (no airgap)
 aw 0.65 (50 mm / 2" air gap)
 aw 0.90 (100 mm / 4" air gap)
 aw 0.95 (200 mm / 8" air gap)
 aw 0.95 (300 mm / 11" air gap).

12 mm aw 0.30 (no air gap)



MATERIAL REUTILISATION

ARCHISONIC® 24 mm 88 plastic bottles/m²
ARCHISONIC® 12 mm 53 plastic bottles/m²

ENVIRONMENTAL

Cradle to Cradle Certified™
Product qualifies for LEED v4 specifications on VOC emissions in LEED EQ credit (Low-emitting products)

SUPPORTED BY

Climate KIC

