

SHELTER

Desk Division



SHELTER

Desk Division

The acoustic partition SHELTER follows the trend of dematerialization, where all unnecessary parts of an acoustic partition have been removed. It is a simple and functional system, specially designed for the needs of those working in the home office. It can be folded to save space when not in use.

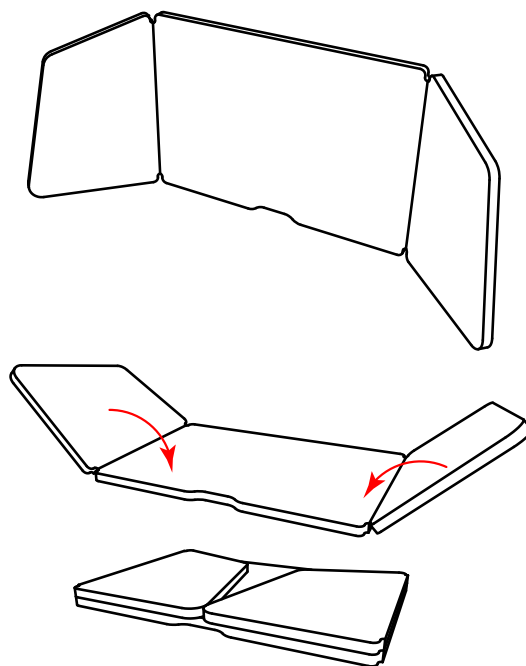
ARTICLE NUMBER

DIMENSIONS

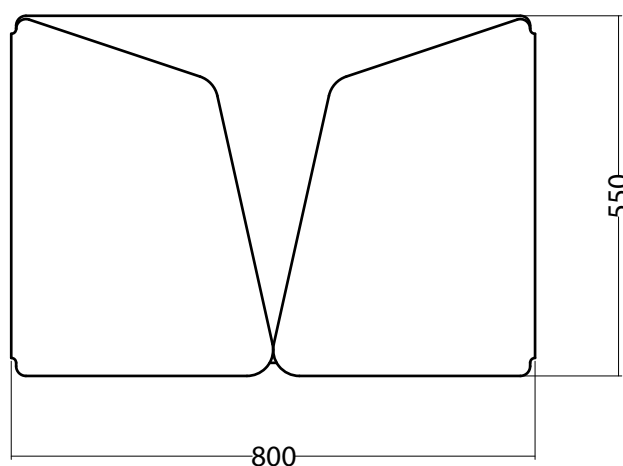
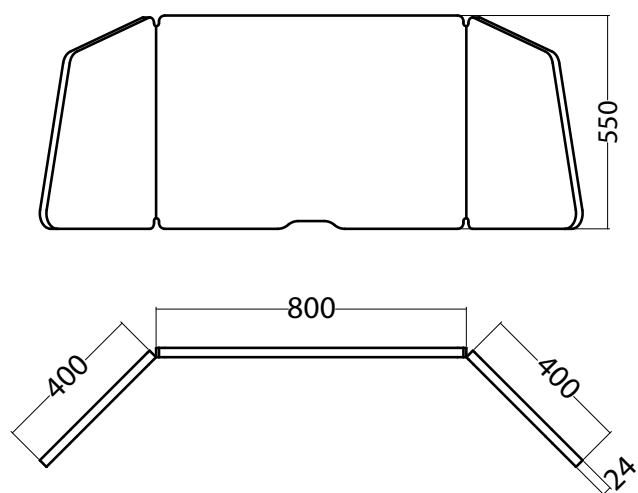
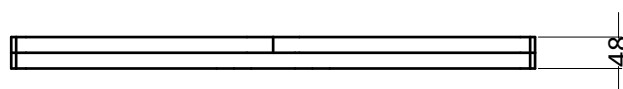
Length: 1600mm 63"
Height: 550 mm 21.5"
Thickness: 24mm 0.95"

COMPACT

The partition wall can be folded for a minimum of space.



SIDE ELEVATION



TECHNICAL DATA SHEET

ARCHISONIC®

Colour Families

ARCHISONIC® is a high-performance sustainable acoustic absorber made from upcycled plastic bottles which is Cradle to Cradle certified and LEED accredited.

ARCHISONIC® is manufactured at the highest quality standards, yet slight color and surface deviations caused by the high degree of recycled fiber are an inevitable part of the product characteristics and do not claim warranty services.

Material varies in colour when shown in monitor or in print. Please request a material sample to verify colours.

QUIET NEUTRALS

24 mm



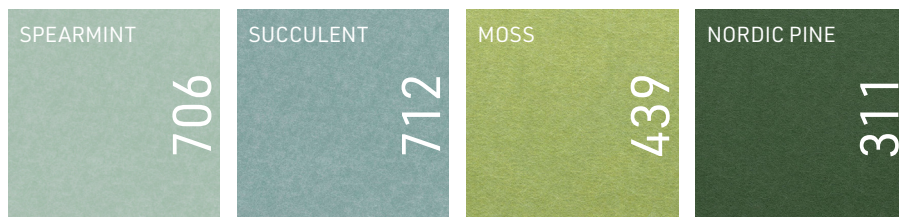
WARM NEUTRALS

24 mm



LIVING GREENS

24 mm



ELEMENTAL BLUES

24 mm



SOOTHING PASTELS

24 mm



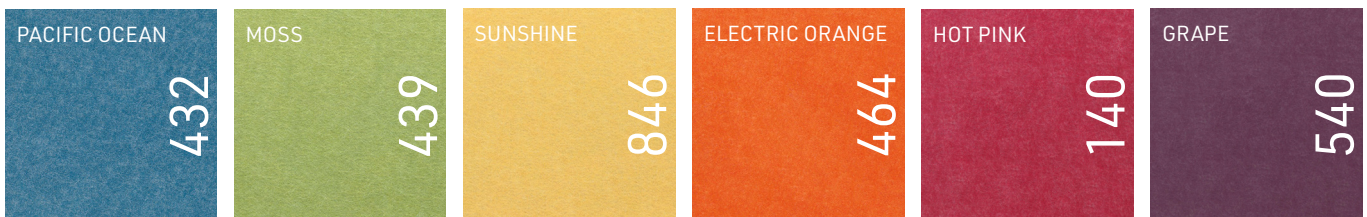
ELEGANT DARKS

24 mm



ENERGETIC BRIGHTS

24 mm



PRIMARY PLAY

24 mm



DIMENSIONS

ARCHISONIC® 24 mm 1800 x 2400 x 24 mm (70" x 94" x 0.94")
ARCHISONIC® 12 mm 1200 x 2800 x 12 mm (47" x 10" x 0.47")

COMPOSITION

100% PET (min. 60% post-consumer)

FIRE TEST

DIN EN 13501-1 B-s1, d0
ASTM E-84 Class A

VOC EMISSION

CDPH 01350 Pass
ISO 16000 (CDPH/EHLB/Standard Method V1.2.)
EN 16516

COLOUR FASTENESS

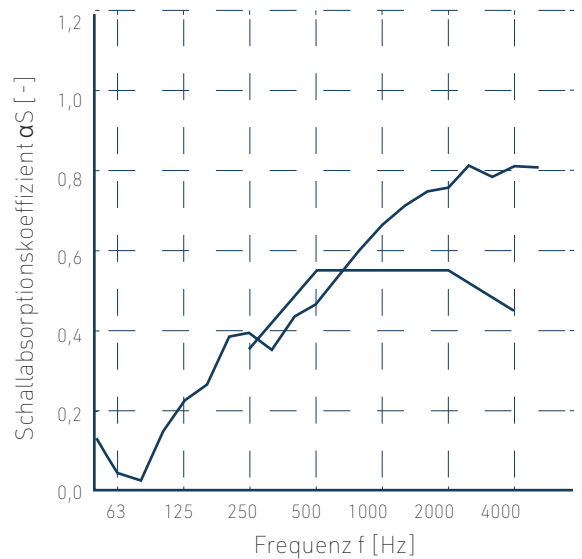
EN ISO 105-B02, A1 Grade 6

SOUND ABSORPTION

DIN ISO 11654

24 mm aw 0.55 (no airgap)
aw 0.65 (50 mm / 2" air gap)
aw 0.90 (100 mm / 4" air gap)
aw 0.95 (200 mm / 8" air gap)
aw 0.95 (300 mm / 11" air gap).

12 mm aw 0.30 (no air gap)



MATERIAL REUTILISATION

ARCHISONIC® 24 mm 88 plastic bottles/m²
ARCHISONIC® 12 mm 53 plastic bottles/m²

ENVIRONMENTAL

Cradle to Cradle Certified™
Product qualifies for LEED v4 specifications on VOC emissions in LEED EQ credit (Low-emitting products)

SUPPORTED BY

Climate KIC

