

datasheet

# Agnes

Workplace LED



# AGNES SQUARE

Workplace LED

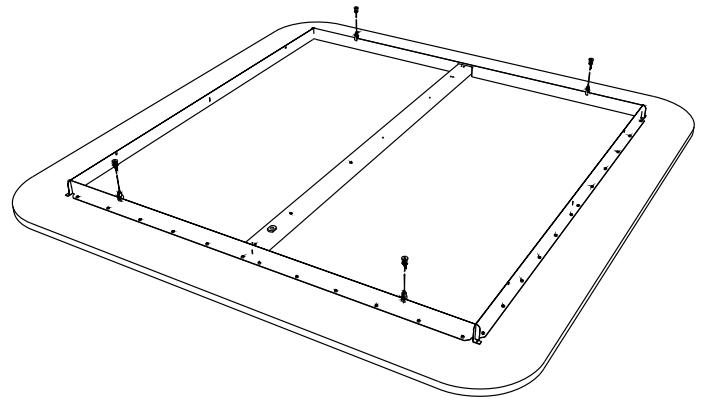
AGNES (Latin: "the pure") offers the most energy efficient workplace LED technology with exceptional anti-glare. The linear light fixture is seamlessly integrated into our high-performance acoustic sails addressing both acoustics and lighting.

## ARTICLE NUMBER

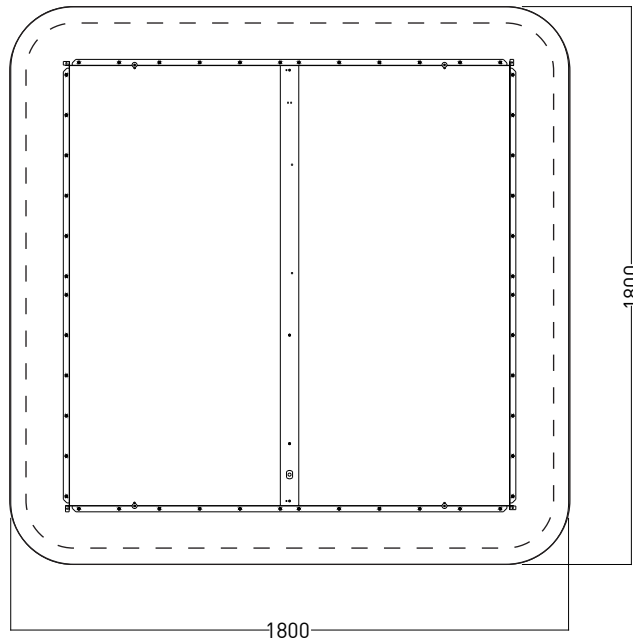
723.24.10.000.00

## DIMENSIONS

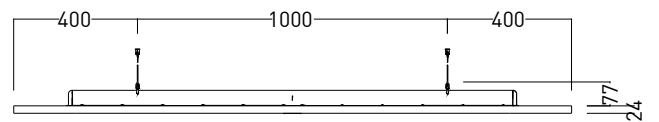
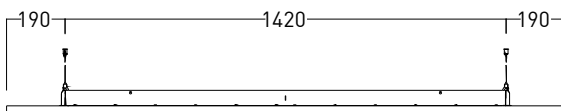
|               |        |       |
|---------------|--------|-------|
| Length:       | 1800mm | 70.9" |
| Width:        | 1800mm | 70.9" |
| Thickness:    | 24 mm  | 0.9"  |
| Length light: | 1420mm | 55.9" |



PLAN



SIDE ELEVATION



DATA SHEET

# AGNES RECTANGLE

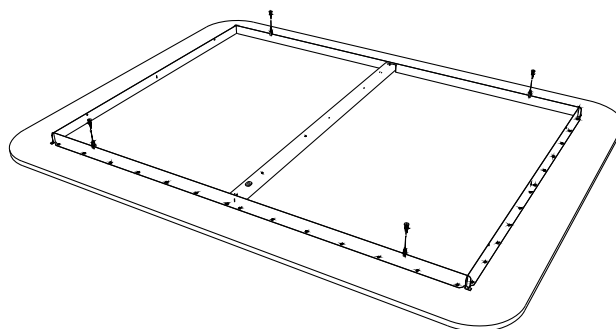
Workplace LED

AGNES (Latin: "the pure") offers the most energy efficient workplace LED technology with exceptional anti-glare. The linear light fixture is seamlessly integrated into our high-performance acoustic sails addressing both acoustics and lighting.

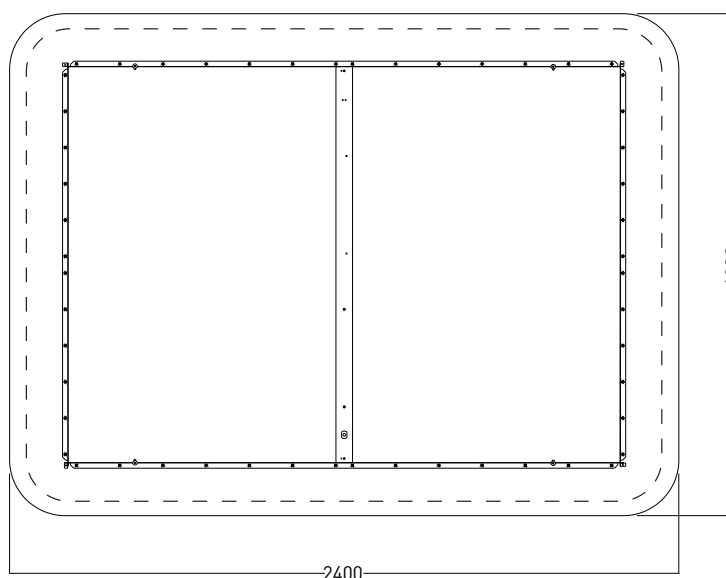
**ARTICLE NUMBER**  
723.24.11.000.00

**DIMENSIONS**

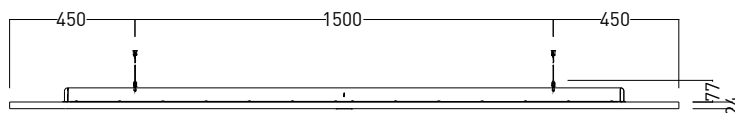
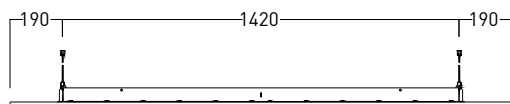
|               |        |       |
|---------------|--------|-------|
| Length:       | 1800mm | 70.9" |
| Width:        | 2400mm | 94.5" |
| Thickness:    | 24 mm  | 0.9"  |
| Length light: | 1420mm | 55.9" |



PLAN



SIDE ELEVATION



DATA SHEET

# AGNES RECTANGLE

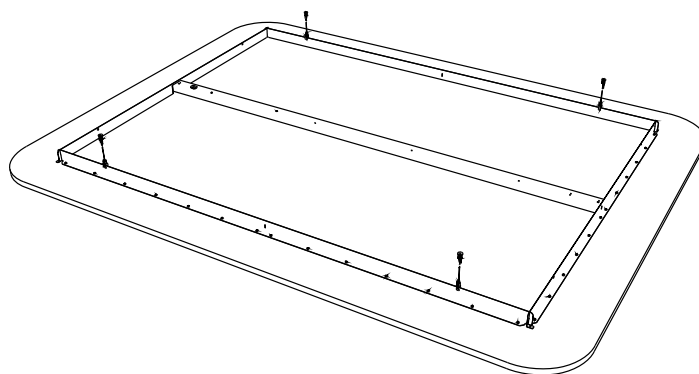
Workplace LED

AGNES (Latin: "the pure") offers the most energy efficient workplace LED technology with exceptional anti-glare. The linear light fixture is seamlessly integrated into our high-performance acoustic sails addressing both acoustics and lighting.

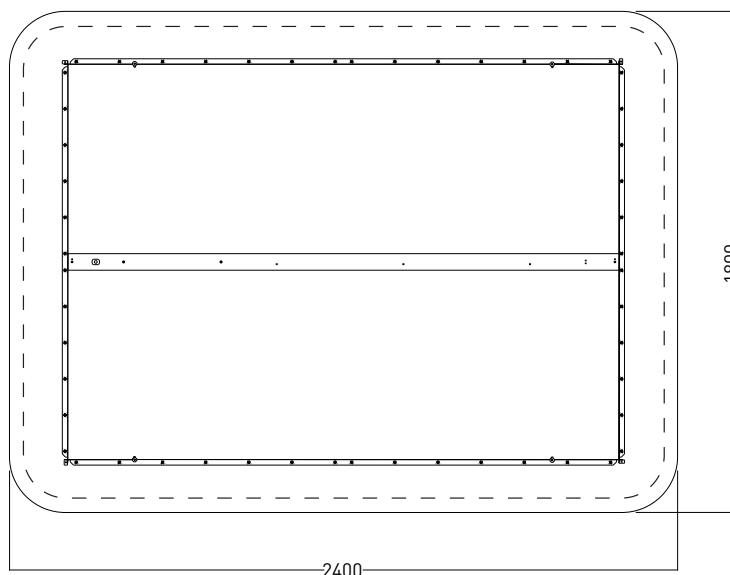
**ARTICLE NUMBER**  
723.24.12.000.00

**DIMENSIONS**

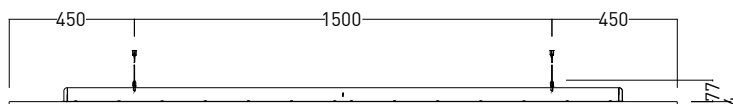
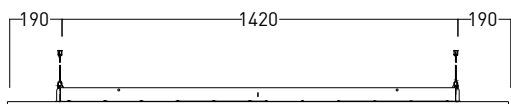
|               |        |       |
|---------------|--------|-------|
| Length:       | 2400mm | 94.5" |
| Width:        | 1800mm | 70.9" |
| Thickness:    | 24 mm  | 0.9"  |
| Length light: | 1980mm | 77.9" |



PLAN



SIDE ELEVATION

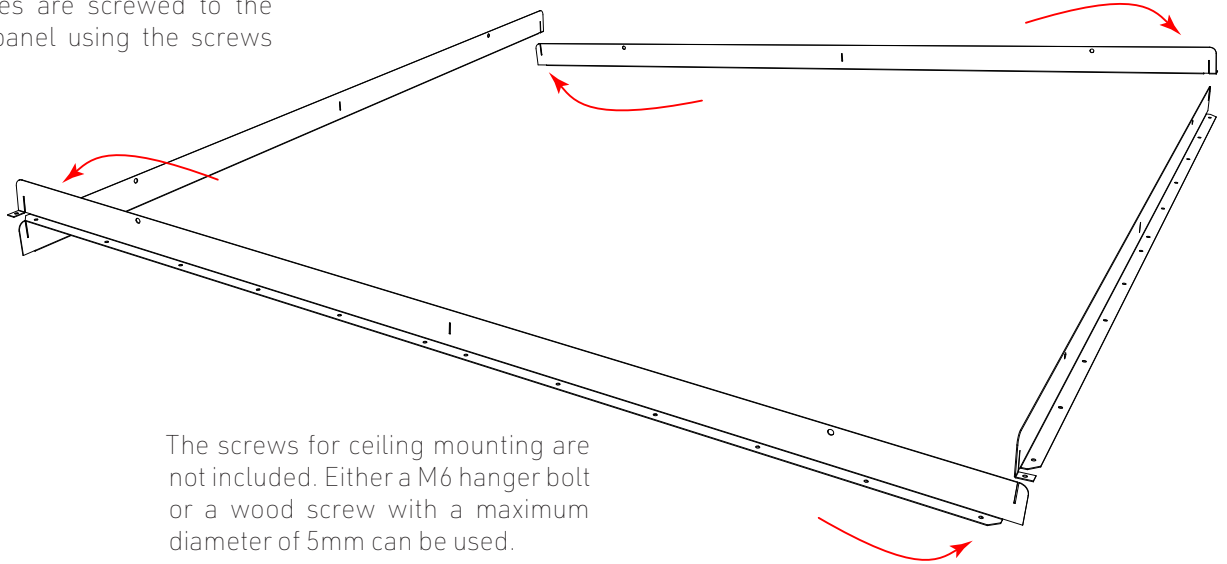


DATA SHEET

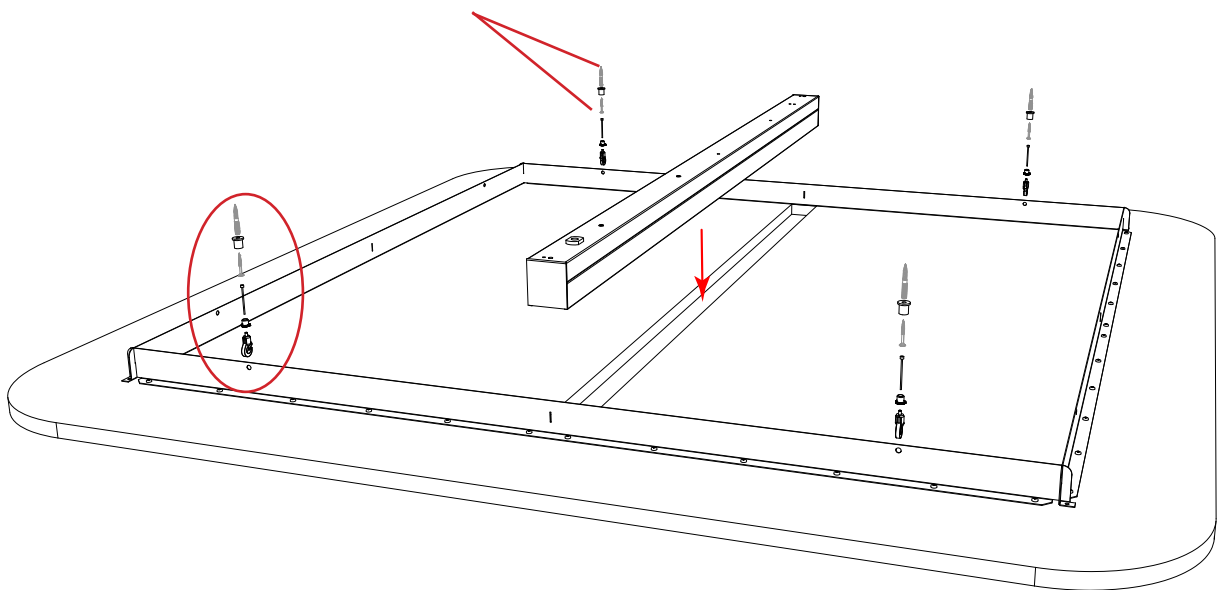
# assembly instructions

1.  
The four frame elements are joined together as shown.

2.  
Then the frames are screwed to the center of the panel using the screws supplied.



The screws for ceiling mounting are not included. Either a M6 hanger bolt or a wood screw with a maximum diameter of 5mm can be used.

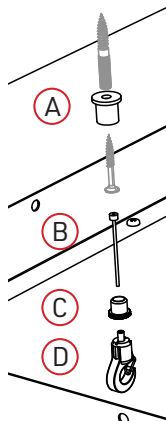


3.  
Mount the suspensions (A, B, C) to the ceiling with suitable screws.

4.  
Fix the hook gripper (D) to the wire rope.

5.  
Hang the ceiling panel on the suspension.

6.  
Insert the light inside the cut-out.



The light is supplied ready to plug in with a plug from Wieland Electric GmbH. The installed plug is:  
GST1815K1-S 15E 10PB02  
92.257.1004.9

Therefore, for example, the following connector can be used:  
GST1815S B1 ZR1 S PB02  
92.953.4453.0

# ARCHISONIC®

Colour Families

ARCHISONIC® is a high-performance sustainable acoustic absorber made from upcycled plastic bottles which is Cradle to Cradle certified and LEED accredited.

ARCHISONIC® is manufactured at the highest quality standards, yet slight color and surface deviations caused by the high degree of recycled fiber are an inevitable part of the product characteristics and do not claim warranty services.

Material varies in colour when shown in monitor or in print. Please request a material sample to verify colours.

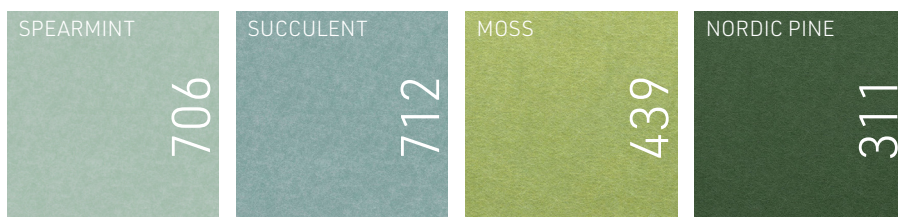
## QUIET NEUTRALS



## WARM NEUTRALS



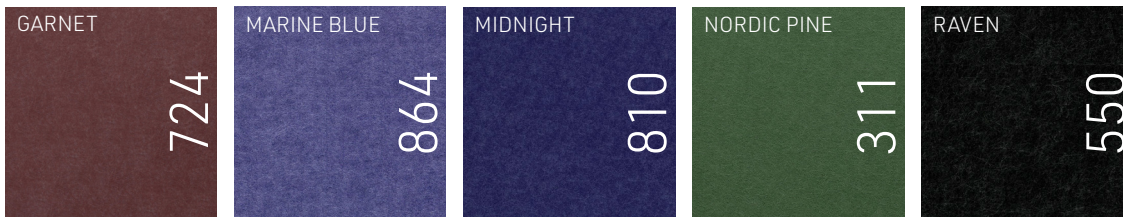
## LIVING GREENS



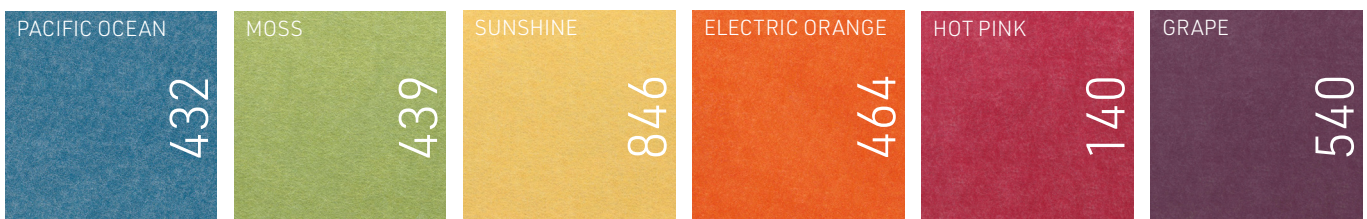
## SOOTHING PASTELS



## ELEGANT DARKS



## ENERGETIC BRIGHTS



## PRIMARY PLAY



# key data

## DIMENSIONS

ARCHISONIC® 24 mm 1800 x 2400 x 24 mm (70" x 94" x 0.94")  
ARCHISONIC® 12 mm 1200 x 2800 x 12 mm (47" x 10" x 0.47")

## COMPOSITION

100% PET (min. 60% post-consumer)

## FIRE TEST

DIN EN 13501-1 B-s1, d0  
ASTM E-84 Class A

## VOC EMISSION

CDPH 01350 Pass  
ISO 16000 (CDPH/EHLB/Standard Method V1.2.)  
EN 16516

## COLOUR FASTNESS

EN ISO 105-B02, A1 Grade 6

## SOUND ABSORPTION

DIN ISO 11654  
24 mm aw 0.55 (no airgap)  
aw 0.65 (50 mm / 2" air gap)  
aw 0.90 (100 mm / 4" air gap)  
aw 0.95 (200 mm / 8" air gap)  
aw 0.95 (300 mm / 11" air gap)  
12 mm aw 0.30 (no air gap)

## MATERIAL REUTILISATION

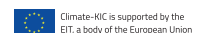
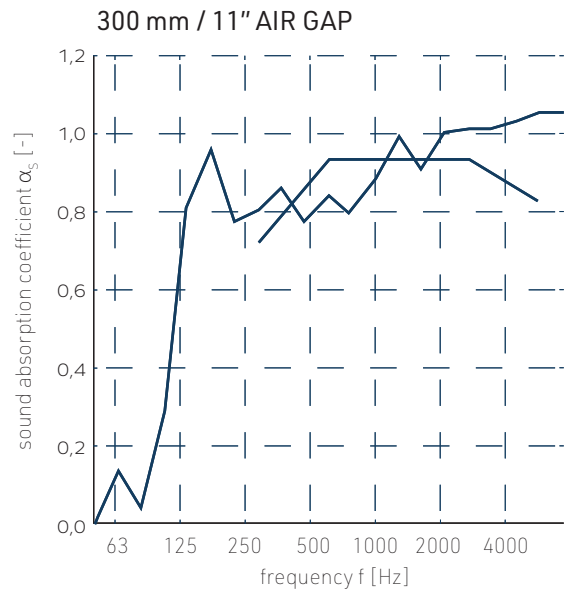
ARCHISONIC® 24 mm 88 plastic bottles/m<sup>2</sup>  
ARCHISONIC® 12 mm 53 plastic bottles/m<sup>2</sup>

## ENVIRONMENTAL

Cradle to Cradle Certified™  
Product qualifies for LEED v4 specifications on  
VOC emissions in LEED EQ credit  
(Low-emitting products)

## SUPPORTED BY

Climate KIC





# key data

## DATA

|                      |   |
|----------------------|---|
| Voltage:             | 230 V +/- 10% AC/DC                               |
| Power:               | 33 W (1420mm)<br>41 W (1980mm)                    |
| light flux:          | 4700 lm (1420mm)<br>6100 lm (1980mm)              |
| Energy efficiency:   | A++<br>142 lm / W (1420mm)<br>148 lm / W (1980mm) |
| Protection class:    | IP 20   |
| Colour reproduction: | CRI > 80  |
| Colour consistency:  | < 3 SDMC  |
| Life span:           | > 50'000 h (L80 B10)                              |
| UGR:                 | < 19  |
| Diffuser:            | microprism  |
| Light control:       | DALI  |

