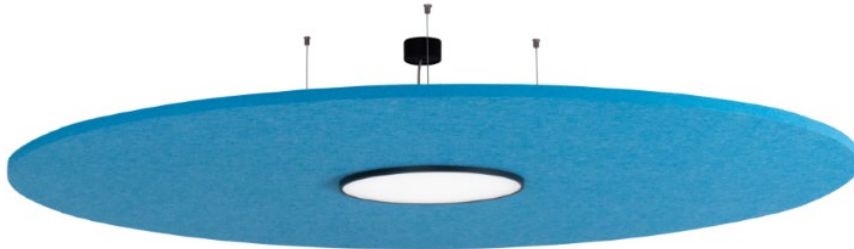


CIRC



Art. Nr. see page 4

MOUNTING

Mounting location: ceiling
Type: suspended

ELECTRICAL

Voltage: 48V DC
Control gear needed: Yes
Control gear included: Yes

DIMENSION

Diameter: 1000 / 1200 / 1800 mm
Height: 75 mm
Weight: max. 9,8 kg

LIGHT

Light distribution: Direct

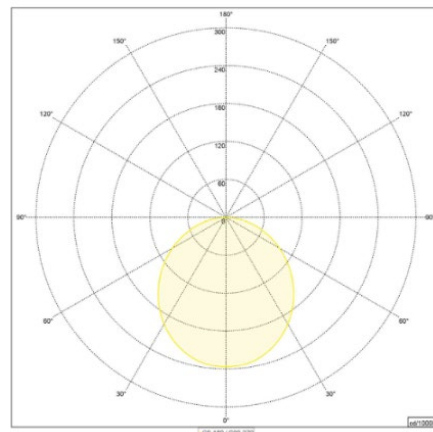
LAMP DESCRIPTION

Lamp Product: SIGN DIVA 200
Lamp Typ: LED
Total Power: 19 W
Luminous Flux of Light Source: 2340 lm
Usable luminous flux: 1580 lm
Colour rendering index (CRI): 90
Colour temperature (CCT): 4000 K

TECHNICAL DESCRIPTION

It's a product that brilliantly demonstrates our specialty in custom luminaire design. Choose from one of the 28 colors and perfectly match the pattern of the luminaire shade to the planned interior.

The ARCHISONIC® material, which was carefully developed and curated in collaboration with the London trend researchers Color Hive, is available in two thicknesses, 24 and 12 millimeters. The PET fibers from recycled water bottles make the material a sustainable and powerful source to meet your acoustic challenges.



MATERIAL COMPOSITION

100% PET (min. 60% post-consumer)

FIRE TEST

DIN EN 13501-1 B-s1, d0
ASTM E-84 Class A

VOC-EMISSION

CDPH 01350 Pass
ISO 16000 (CDPH/EHLB/Standard Methode V1.2.)
EN 16516

COLOUR FASTNESS

ISO 105-B02, A1 Grade 6

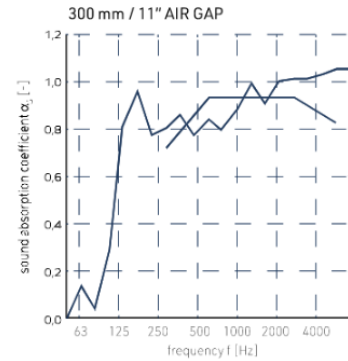
MATERIAL REUTILISATION

ARCHISONIC® 24 mm 88 plastic bottles/m²
ARCHISONIC® 12 mm 53 plastic bottles/m²

SOUND ABSORPTION

DIN ISO 11654

24mm	aw 0.55 (no airgap) aw 0.65 (50 mm / 2" air gap) aw 0.90 (100 mm / 4" air gap) aw 0.95 (200 mm / 8" air gap)
12mm	aw 0.30 (no air gap)



ENVIRONMENTAL

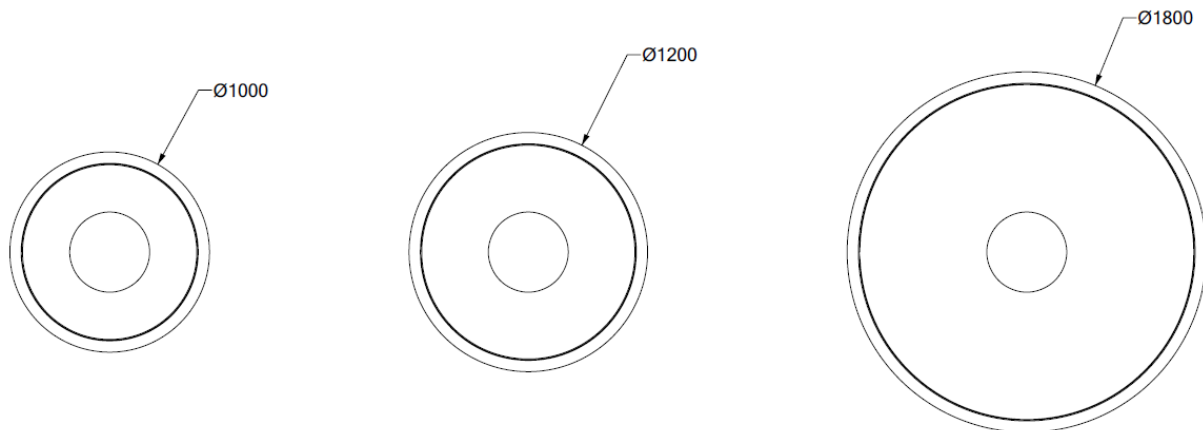
Cradle to Cradle Certified™
Product qualifies for LEED v4 specifications on VOC emissions
in LEED EQ credit (Low-emitting products)

MICROBIAL RESISTANCE

ASTM G21-15
Growth rating: 0 (no growth)
ARCHISONIC® does not provide a breeding ground for mold and mildew.

SUPPORTED BY

Climate KIC



Wir behalten uns das Recht vor technische Änderungen ohne vorangehende Mitteilung durchführen zu können.
PROLICHT GmbH | Österreich | 6091 Neu-Götzens | Gewerbepark 9
T +43 5234 33 499 | F +435234 33 499-22 | info@prolicht.at



HABITAT
MATTER
habitatmatter.com
spec@habitatmatter.com

www.prolicht.at

Acoustic colors:



Panel sizes:

The acoustic panels are available in the following sizes:

	Product Type	Size	Art. Nr.
1	Acoustic Sail Circ 400	D800 x 24mm x 75mm	See next page
2	Acoustic Sail Circ 400	D1000 x 24mm x 75mm	
3	Acoustic Sail Circ 400	D1200 x 24mm x 75mm	
4	Acoustic Sail Circ 400	D1800 x 24mm x 75mm	
5	Acoustic Sail Circ 400 inkl. V-Cut	D800 x 24mm x 75mm	
6	Acoustic Sail Circ 400 inkl. V-Cut	D1000 x 24mm x 75mm	
7	Acoustic Sail Circ 400 inkl. V-Cut	D1200 x 24mm x 75mm	
8	Acoustic Sail Circ 400 inkl. V-Cut	D1800 x 24mm x 75mm	

Wir behalten uns das Recht vor technische Änderungen ohne vorangehende Mitteilung durchführen zu können.

PROLICHT GmbH | Österreich | 6091 Neu-Götzens | Gewerbepark 9
T +43 5234 33 499 | F +435234 33 499-22 | info@prolicht.at

Ø 800	Ø 1000	Ø 1200	Ø 1800	
1	2	3	4	Color
11-02883	11-02911	11-02939	11-02967	SHELL PINK
11-02884	11-02912	11-02940	11-02968	CLOUD
11-02885	11-02913	11-02941	11-02969	WARM STONE
11-02886	11-02914	11-02942	11-02970	GROUND
11-02887	11-02915	11-02943	11-02971	HOT PINK
11-02888	11-02916	11-02944	11-02972	TERRACOTTA
11-02889	11-02917	11-02945	11-02973	ICE BLUE
11-02890	11-02918	11-02946	11-02974	NORDIC PINE
11-02891	11-02919	11-02947	11-02975	GROVE
11-02892	11-02920	11-02948	11-02976	MILK
11-02893	11-02921	11-02949	11-02977	WINTER SKY
11-02894	11-02922	11-02950	11-02978	PACIFIC OCEAN
11-02895	11-02923	11-02951	11-02979	MOSS
11-02896	11-02924	11-02952	11-02980	SMOKE GREY
11-02897	11-02925	11-02953	11-02981	SLATE
11-02898	11-02926	11-02954	11-02982	ELECTRIC ORANGE
11-02899	11-02927	11-02955	11-02983	SNOW WHITE
11-02900	11-02928	11-02956	11-02984	SOFT CORAL
11-02901	11-02929	11-02957	11-02985	GRAPE
11-02902	11-02930	11-02958	11-02986	CHARCOAL
11-02903	11-02931	11-02959	11-02987	RAVEN
11-02904	11-02932	11-02960	11-02988	POSTER RED
11-02905	11-02933	11-02961	11-02989	SPERMINT
11-02906	11-02934	11-02962	11-02990	SUCCULENT
11-02907	11-02935	11-02963	11-02991	GARNET
11-02908	11-02936	11-02964	11-02992	MIDNIGHT
11-02909	11-02937	11-02965	11-02993	SUNSHINE
11-02910	11-02938	11-02966	11-02994	MARINE BLUE

Ø 800	Ø 1000	Ø 1200	Ø 1800	
5	6	7	8	Color
11-02995	11-03023	11-03051	11-03079	SHELL PINK
11-02996	11-03024	11-03052	11-03080	CLOUD
11-02997	11-03025	11-03053	11-03081	WARM STONE
11-02998	11-03026	11-03054	11-03082	GROUND
11-02999	11-03027	11-03055	11-03083	HOT PINK
11-03000	11-03028	11-03056	11-03084	TERRACOTTA
11-03001	11-03029	11-03057	11-03085	ICE BLUE
11-03002	11-03030	11-03058	11-03086	NORDIC PINE
11-03003	11-03031	11-03059	11-03087	GROVE
11-03004	11-03032	11-03060	11-03088	MILK
11-03005	11-03033	11-03061	11-03089	WINTER SKY
11-03006	11-03034	11-03062	11-03090	PACIFIC OCEAN
11-03007	11-03035	11-03063	11-03091	MOSS
11-03008	11-03036	11-03064	11-03092	SMOKE GREY
11-03009	11-03037	11-03065	11-03093	SLATE
11-03010	11-03038	11-03066	11-03094	ELECTRIC ORANGE
11-03011	11-03039	11-03067	11-03095	SNOW WHITE
11-03012	11-03040	11-03068	11-03096	SOFT CORAL
11-03013	11-03041	11-03069	11-03097	GRAPE
11-03014	11-03042	11-03070	11-03098	CHARCOAL
11-03015	11-03043	11-03071	11-03099	RAVEN
11-03016	11-03044	11-03072	11-03100	POSTER RED
11-03017	11-03045	11-03073	11-03101	SPERMINT
11-03018	11-03046	11-03074	11-03102	SUCCULENT
11-03019	11-03047	11-03075	11-03103	GARNET
11-03020	11-03048	11-03076	11-03104	MIDNIGHT
11-03021	11-03049	11-03077	11-03105	SUNSHINE
11-03022	11-03050	11-03078	11-03106	MARINE BLUE

Wir behalten uns das Recht vor technische Änderungen ohne vorangehende Mitteilung durchführen zu können.

PROLICHT GmbH | Österreich | 6091 Neu-Götzens | Gewerbepark 9
T +43 5234 33 499 | F +435234 33 499-22 | info@prolicht.at

