



HABITAT  
MATTER

habitatmatter.com  
spec@habitatmatter.com

# HEXAGON

Wall Tile



# HEXAGON 24MM

Wall Tile

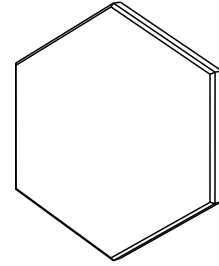
HEXAGON is a playful and highly adaptable acoustic solution. A classic shape that can create a wide variety of patterns and moods specially when complimentary colours are combined.

## ARTICLE NUMBER

731.24.20.000.00

## DIMENSIONS

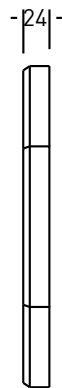
Length:	295mm	11.61"
Width:	255 mm	10.03"
Thickness:	24mm	0.94"



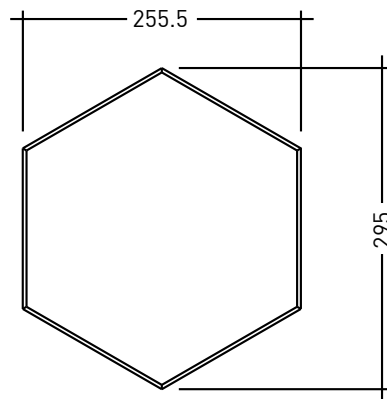
## CONNECTION

HEXAGON is mounted on the wall with a biodegradable double-contact glue.

**SIDE**



**FRONT**



# HEXAGON 12MM

Wall Tile

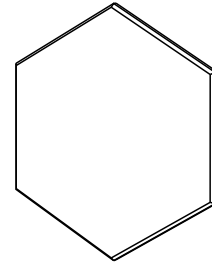
HEXAGON is a playful and highly adaptable acoustic solution. A classic shape that can create a wide variety of patterns and moods specially when complimentary colours are combined.

## ARTICLE NUMBER

731.12.20.000.00

## DIMENSIONS

Length:	295mm	11.61"
Width:	255 mm	10.03"
Thickness:	12 mm	0.47"

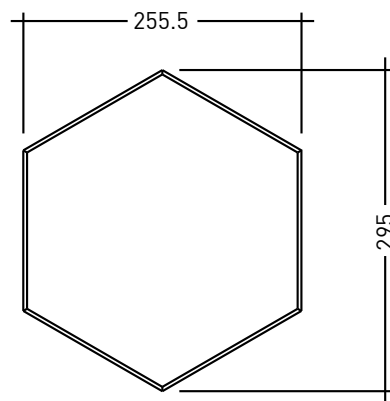


## CONNECTION

HEXAGON is mounted on the wall with a biodegradable double-contact glue.

**SIDE**

**FRONT**

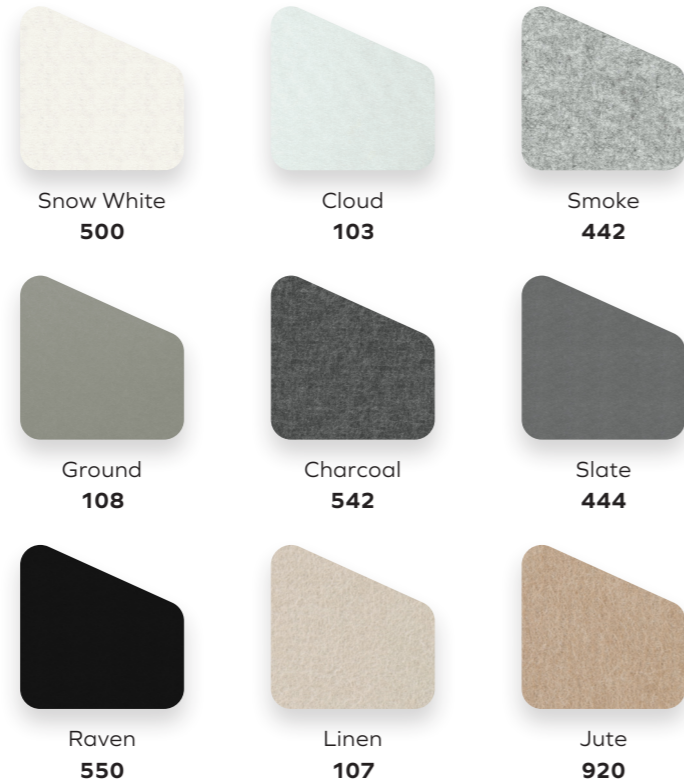


# ARCHISONIC® Colours

## Quiet Neutrals

12mm & 24 mm

These shades work in harmony with natural textural materials and soften industrial environments. From light to dark and cool to warm, these are the foundations of any scheme where longevity and a mood of calm is desired.



## Warm Naturals

12mm & 24 mm

Combinations of lighter toned neutrals and pinks have a gently soothing and restorative effect while the more saturated hues make perfect environments for relaxation.

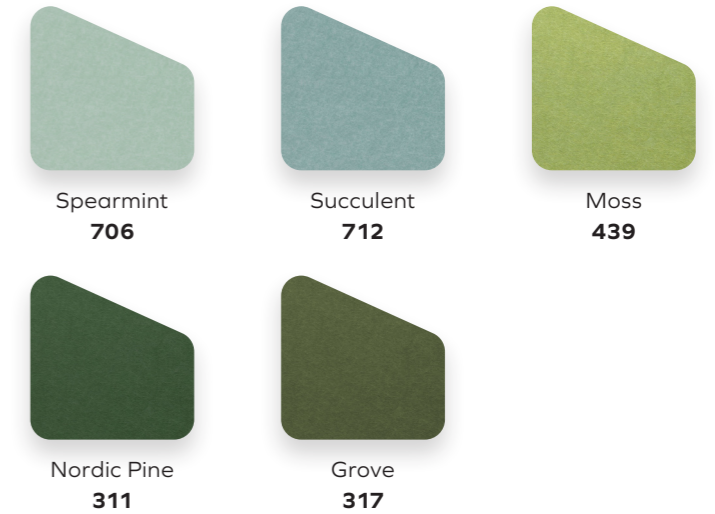


# ARCHISONIC® Colours

## Living Greens

12mm & 24 mm

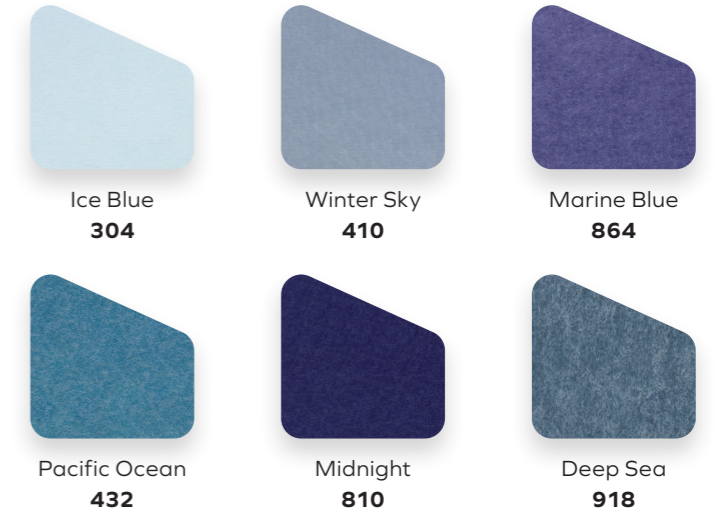
From the cool greens of forests to the yellowed aspect of young wheat, we see Living Greens breathing life into indoor spaces, and an essential palette for the future. Use in tonal layers brings the depth and diversity of green, while a single note can provide an amplifying backdrop to a biophilic space.



## Elemental Blues

12mm & 24 mm

These blues work perfectly both as familiar single hues and in effortless tonal layers to create an immersive environment for focus or restoration.



# ARCHISONIC® Colours

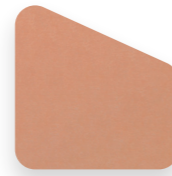
## Soothing Pastels

12mm & 24 mm

With tonal duos of pink and blue and green, this perfectly balanced group is designed for peaceful plays on light and shade and playful contrast. While the lightest tones have a dreamlike quality, their deeper counterparts add a subtle grounding.



Shell Pink  
102



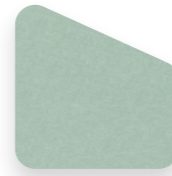
Soft Coral  
516



Ice Blue  
304



Winter Sky  
410



Spearmint  
706



Succulent  
712

## Elegant Darks

12mm & 24 mm

While colour can create a mood, it is the depth or lightness of a hue that truly defines the emotion. While each hue has the strength to stand alone, beautiful effects can be achieved with harmonized pairs.



Garnet  
724



Marine Blue  
864



Midnight  
810



Nordic Pine  
311



Raven  
550

# ARCHISONIC® Colours

## Energetic Brights

12mm & 24 mm

There are no rules here with endless possibilities for clashing contrasts or surprising highlights. For a sophisticated use of energetic colour, take a single hue and colour match contrasting textiles and solid surfaces.



Pacific Ocean  
432



Moss  
439



Sunshine  
846



Electric Orange  
464



Hot Pink  
140

## Primary Play

12mm & 24 mm

The primary story happens when all three main colours are used together, with varied proportions creating differing moods. As with the Energetic Brights palette, combine with coordinating-coloured textiles and solid surfaces.



Snow White  
500



Charcoal  
542



Sunshine  
846



Poster Red  
662



Marine Blue  
864

## DIMENSIONS

ARCHISONIC® 24 mm 1800 x 2400 x 24 mm (70" x 94" x 0.94")  
ARCHISONIC® 12 mm 1200 x 2800 x 12 mm (47" x 10" x 0.47")

## COMPOSITION

100% PET (min. 60% post-consumer)

## FIRE TEST

DIN EN 13501-1 B-s1, d0  
ASTM E-84 Class A

## VOC EMISSION

CDPH 01350 Pass  
ISO 16000 (CDPH/EHLB/Standard Method V1.2.)  
EN 16516

## COLOUR FASTENESS

EN ISO 105-B02, A1 Grade 6

## SOUND ABSORPTION

DIN ISO 11654

24 mm aw 0.55 (no airgap)  
aw 0.65 (50 mm / 2" air gap)  
aw 0.90 (100 mm / 4" air gap)  
aw 0.95 (200 mm / 8" air gap)  
aw 0.95 (300 mm / 11" air gap).

12 mm aw 0.30 (no air gap)

## MATERIAL REUTILISATION

ARCHISONIC® 24 mm 88 plastic bottles/m<sup>2</sup>  
ARCHISONIC® 12 mm 53 plastic bottles/m<sup>2</sup>

## ENVIRONMENTAL

Cradle to Cradle Certified™  
Product qualifies for LEED v4 specifications on VOC emissions in LEED EQ credit (Low-emitting products)

## SUPPORTED BY

Climate KIC

