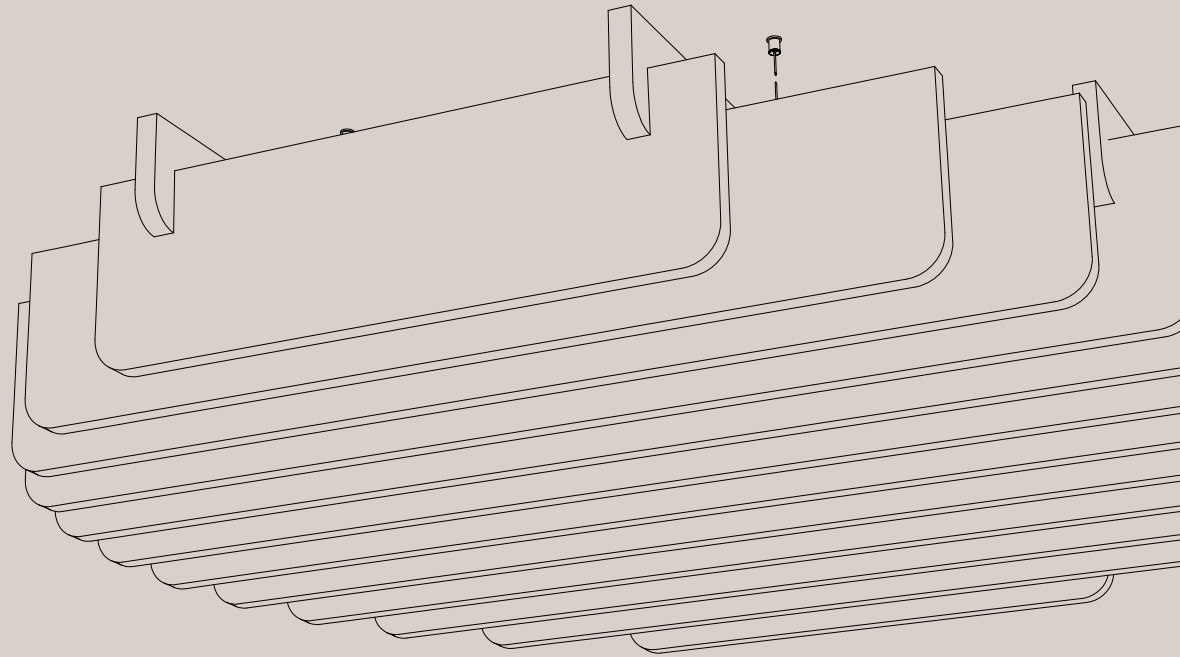


IMPACT ACOUSTIC®



HABITAT  
MATTER

habitatmatter.com  
spec@habitatmatter.com



# Nebula

## Modular Baffle

712.24.14.000.00

712.24.15.000.00

TECHNICAL DATA SHEET



# Nebula Modular Baffle

## General Information



### Data

#### Applicable article numbers

712.24.14.000.00      712.24.15.000.00

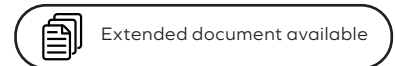
#### Dimensions<sup>1</sup>

Width	1100 or 1476mm	43.3" or 58.11"
Length	1060 or 1535mm	41.73" or 60.43"
Material thickness	24mm	0.94"
Total Height	285 and 262mm	on demand



#### Material

Baffles                                      100% PET (60% post-consumer) in 32 colors.  
 Gripper system                            Stainless steel



#### Weight<sup>2</sup>

712.24.14.000.00	7.68 kg (±10%)	16.93 lbs (±10%)	( without suspension )
712.24.15.000.00	14.52 kg (±10%)	32.01 lbs (±10%)	( without suspension )

### Included

Baffle Module



Cable-Gripper  
Suspension



Installation  
guide



Warranty  
2 years<sup>3</sup>



1 - all dimensions are nominal    2 - all weight values are nominal    3 - Impact Acoustic warranty terms apply



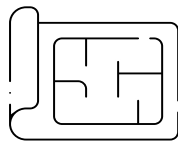
# Nebula Modular Baffle

## Specification Guide

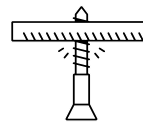
Ensure you make the perfect choice by choosing our solutions for your next project. To get started, simply define some basic information and constraints about your space. Then explore our range of standard solutions or contact us directly for a more in-depth discussion of personalised customized options.

### 1 Prepare this information:

---



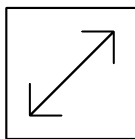
Ceiling Plans (RCP)



Ceiling Type

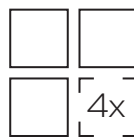
### 2 Specify your Baffles:

---



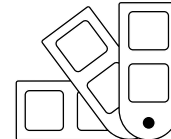
Size

page 5 and 6



Number of Modules

page 4

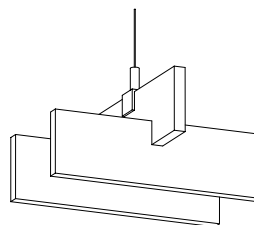


Color

page 8

### 3 Verify installation method:

---



Gripper + Slotted  
Baffle

page 7

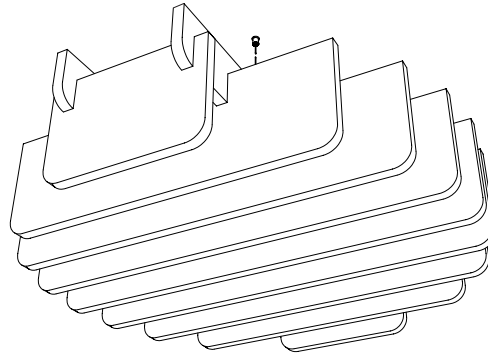


# Nebula Modular Baffle

## Product Family Overview

### 1 Nebula Modular Baffle Small

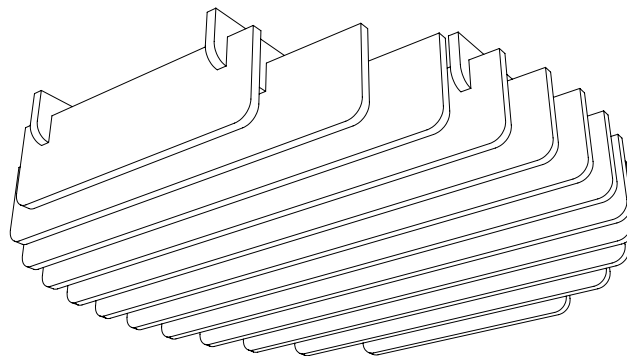
712.24.14.000.00 - Ceiling Baffle Nebula Modular



(W1100 L1060, H285)  
(W43.31" L41.73" H11.22")

### 2 Nebula Modular Baffle Big

712.24.15.000.00 - Ceiling Baffle Nebula Modular



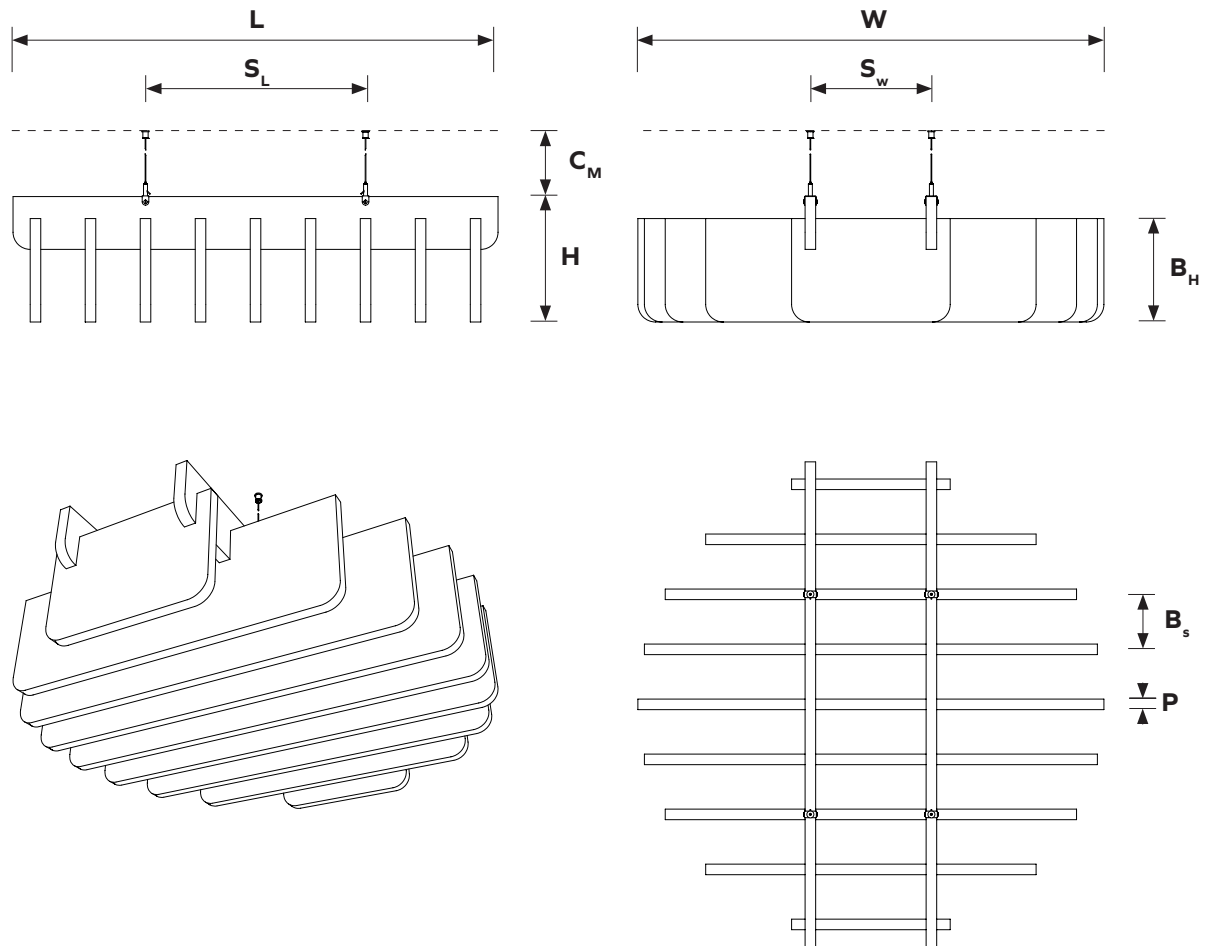
(W1476 L1535, H262)  
(W58.11" L60.43" H10.32")

# Nebula Modular Baffle

## Geometry Information

Custom solutions available

### Ceiling Baffle Nebula Modular 712.24.14.000.00

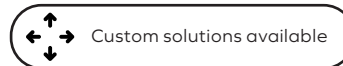


#### Dimensions table

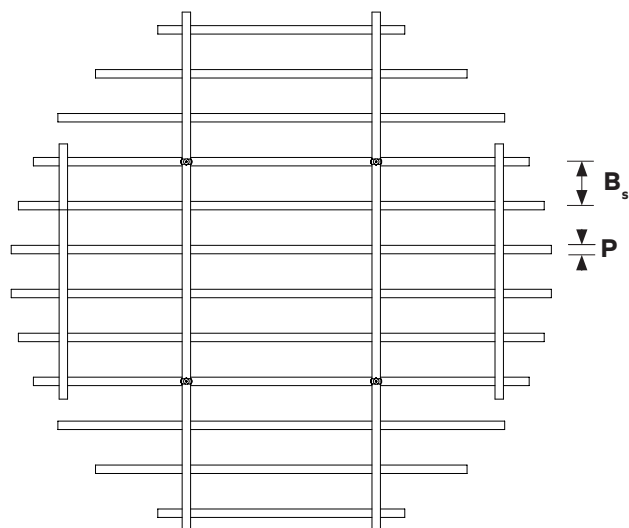
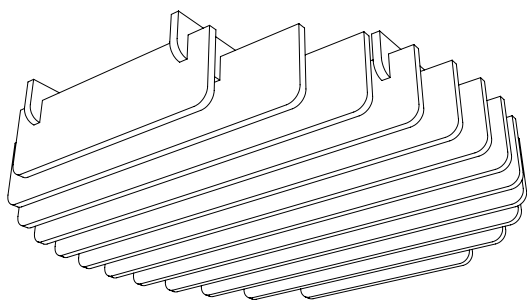
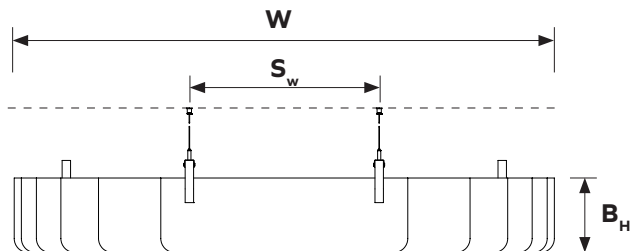
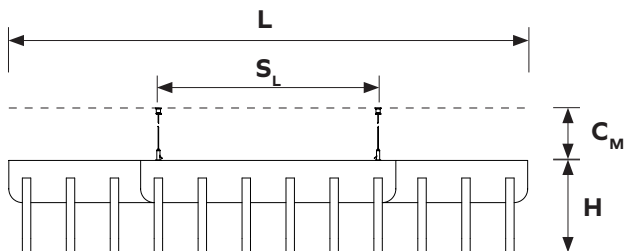
<b>W</b>	Total width	1100mm	43.3"
<b>L</b>	Total length	1060mm	41.73"
<b>H</b>	Total height	285mm	11.22"
<b>B<sub>H</sub></b>	Bottom baffle height	235mm	9.25"
<b>B<sub>S</sub></b>	Baffle spacing	125mm	4.92"
<b>C<sub>M</sub></b>	Min. distance from ceiling	min. 100mm	min. 4"
<b>S<sub>W</sub></b>	Support spacing W	500mm	19.68"
<b>S<sub>L</sub></b>	Support spacing L	275mm	10.83"
<b>P</b>	PET material thickness	24mm	0.94"

# Nebula Modular Baffle

## Geometry Information



### Ceiling Baffle Nebula Modular 712.24.15.000.00



#### Dimensions table

<b>W</b>	Total width	1476mm	58.11"
<b>L</b>	Total length	1060mm	60.43"
<b>H</b>	Total height	262mm	11.22"
<b>B<sub>H</sub></b>	Bottom baffle height	235mm	10.32"
<b>B<sub>s</sub></b>	Baffle spacing	125mm	4.92"
<b>C<sub>M</sub></b>	Min. distance from ceiling	min. 100mm	min. 4"
<b>S<sub>w</sub></b>	Support spacing W	540mm	21.26"
<b>S<sub>L</sub></b>	Support spacing L	625mm	24.61"
<b>P</b>	PET material thickness	24mm	0.94"



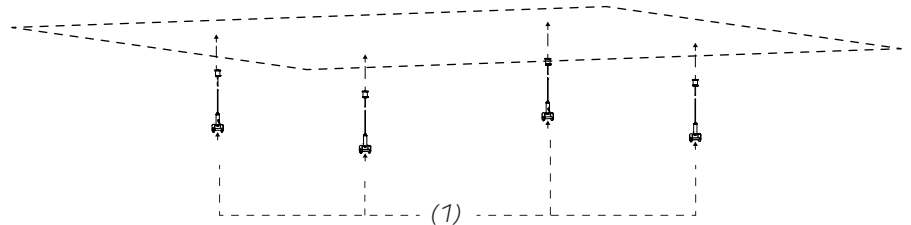
# Nebula Modular Baffle

## Installation Overview

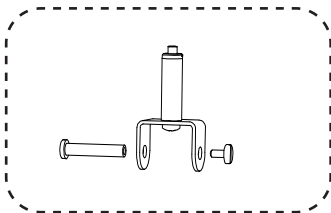
 Extended document available

### 1 Attach mounting hardware

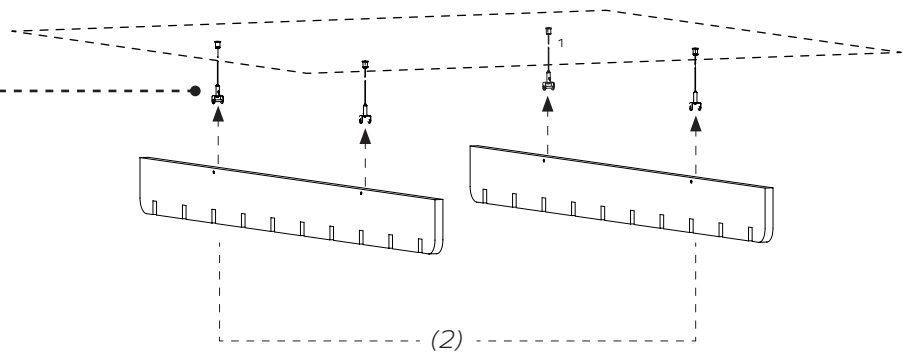
Attach 4 pieces of mounting cables (1) to the ceiling.



### 2 Install upper Baffles

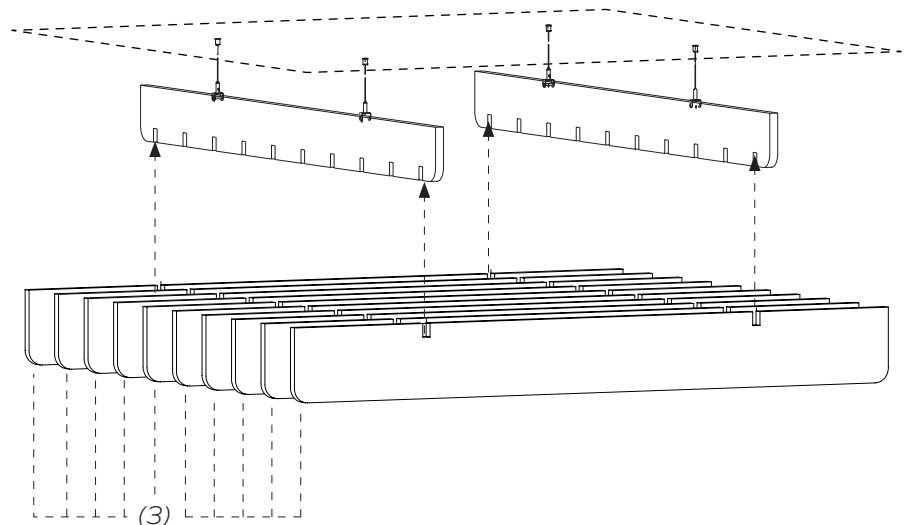


Attach slotted upper baffles (2) to the gripper connectors. Secure the baffles with provided screws. Adjust the lift of the baffles using the cable



### 3 Install lower Baffles

Push in lower Baffles (3) into slots provided in a upper baffles.



# ARCHISONIC®

## Colors



<b>Name</b>	Snow White	Milk	Cloud	Smoke	Ground	Charcoal	Slate	Raven
<b>Color Code</b>	500	404	103	442	108	542	444	550
<b>NCS Code</b>	S 0300-N	S 0502-Y	S 1002-B	S 3005-R80B	S 5005-Y20R	S 7502-B	S 4500-N	S 8500-N
<b>Name</b>	Nordic Pine	Grove	Moss	Spearmint	Ice Blue	Succulent	Deep Sea	Marine Blue
<b>Color Code</b>	311	317	439	706	304	712	918	864
<b>NCS Code</b>	S 5030-G10Y	S 7020-G30Y	S 2040-G40Y	S 1010-B90G	S 0510-B	S 3020-B30G	S 5020-R90B	S 4050-R70B
<b>Name</b>	Linen	Shell Pink	Jute	Warm Stone	Terracotta	Soft Coral	Honeycomb	Sunshine
<b>Color Code</b>	107	102	920	105	239	516	139	846
<b>NCS Code</b>	S 1505-Y30R	S 0510-R30B	S 3010-Y30R	S 3010-Y50R	S 4040-Y70R	S 2020-Y90R	S 2050-Y20R	S 1040-Y10R
<b>Name</b>	Garnet	Hot Pink	Poster Red	Electric Orange	Winter Sky	Pacific Ocean	Midnight	Grape
<b>Color Code</b>	724	140	662	464	311	311	810	540
<b>NCS Code</b>	S 5040-R10B	S 2060-R20B	S 1080-R	S 0580-Y70R	S 5030-G10Y	S 5030-G10Y	S 7020-R70B	S 5040-R40B

These NCS codes are the closest visual match available and may not be exact to blended fibres.

**ARCHISONIC®**

## Colors

Experience our ARCHISONIC® Felt material with a stunning selection of 32 colors across 8 distinct families, thoughtfully curated by *Colour Hive* in London. Effortlessly combine colors harmoniously to suit your preferences. Discover more in our Materials brochure and order your free sample box today.

## Color fastness

Class 6

ISO 105-B02:A1

## Order a free sample box





# ARCHISONIC®

## Material Specification

<b>Product Name</b>	Archisonic® Felt	
<b>Content</b>	100% PET (60% certified post-consumer content)	
<b>Thickness<sup>1</sup></b>	12mm (0.47")	24mm (0.94")
<b>Max. Size</b>	1200x2800mm (47"x110")	1800x2400mm (70"x94")
<b>Acoustic<sup>2</sup></b>	<b>ASTM:</b> NRC=0.6 <b>ISO:</b> αw=0.65	<b>ASTM:</b> NRC=0.9 <b>ISO:</b> αw=0.95
<b>Density<sup>1</sup></b>	2400 g/m <sup>2</sup> (0.49 lbs/ sqft)	4000 g/m <sup>2</sup> (0.82 lbs/sqft)
<b>Color Fastness</b>	<b>Class 6</b> ISO 105-B02:A1	
<b>Color</b>	<b>32 colors</b> (see Archisonic® Felt Color page for more information)	
<b>Maintenance</b>	For daily cleaning we recommend alcohol solution (75%), e.g. Pantasept. In case of contamination by dust or fluff, use feather duster or a regular vacuum cleaner. For heavy dirt, treat the material with hydrogen peroxide.	
<b>Lead time<sup>3</sup></b>	21 days	
<b>Fire Rating</b>	DIN EN 13501-1: <b>B-s1, d0</b>	ASTM E84 <b>Class A</b>
<b>VOC Emission</b>	<b>A+</b> 28 Days French Regulation	ASTM E84 <b>Pass</b>
<b>Certifications</b>	Declare label, Cradle to Cradle, UL Environmental Product Declaration, Member of US Green Building Council, Ecobau 1st Priority, Climate-KIC, VOC emissions in LEED EQ credit (low-emitting products), Breeam, SCS Recycled Content	
<b>Durability</b>	Contract	

1 - all values are nominal 2 - measured with 300mm air cavity 3 - depending on the location and type of product



Climate-KIC is supported by the EIT, a body of the European Union



**Declare.**



# Nebula Modular Baffle

## Acoustic Performance



### Testing Standards

ISO 354:2003	Acoustics — Measurement of sound absorption in a reverberation room
ISO 11654:1997	Acoustics — Sound absorbers for use in buildings — Rating of sound absorption
ISO 20189:2018	Acoustics — Screens, furniture and single objects intended for interior use — Rating of sound absorption and sound reduction of elements based on laboratory measurements
ASTM C423-17	Standard Test Method for Sound Absorption and Sound Absorption Coefficients by the Reverberation Room Method
ASTM E795-16	Standard Practices for Mounting Test Specimens During Sound Absorption Tests

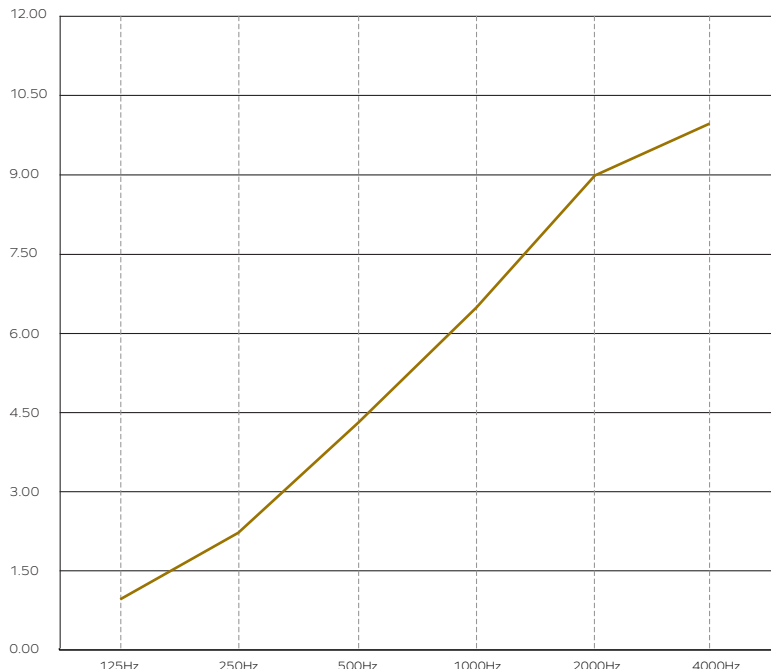
### Acoustic Test Results ISO

Frequency (Hz)		125	250	500	1000	2000	4000
Ceiling Baffle Standard Module 24mm	m <sup>2</sup>	0.9	2.5	4.1	6.4	9.0	9.9

### Acoustic Test Results ASTM (Sabins)

Frequency (Hz)		125	250	500	1000	2000	4000
Ceiling Baffle Standard Module 24mm	m <sup>2</sup>	10.1	27.1	43.9	69.0	97.1	106.3

Presented results apply to tested module of 300mm height straight baffles with 200mm spacing in between.



***“If you want to control room acoustics from the ceiling, keep one important principle in mind: size matters.”***

– Daniel Verlooven,  
Global Acoustic Ambassador

● Ceiling Baffle Standard Module 24mm

The graph represents the sound absorption coefficients ( $\alpha_s$ ) in the third octave band center frequencies. Measurement used Pink Noise as excitation signal in a reverberant room.





# Modular Baffle

## Reference Projects

