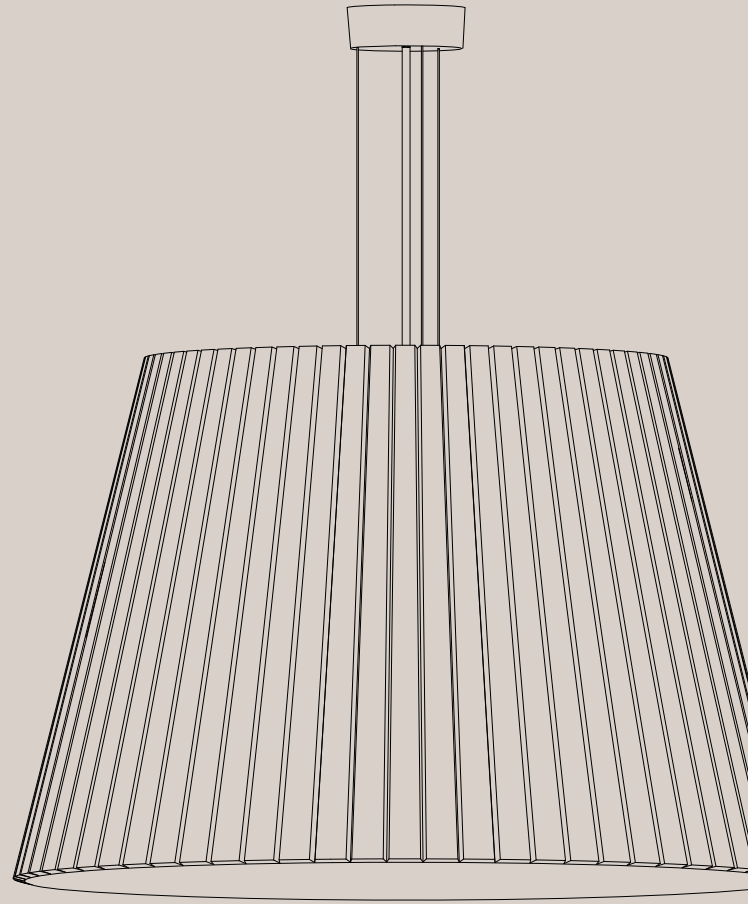


IMPACT ACOUSTIC®



Spark

Acoustic Lighting

722.12.16.000.00
722.12.14.000.00
722.12.15.000.00
722.12.17.000.00
722.12.18.000.00

TECHNICAL DATA SHEET



HABITAT
MATTER

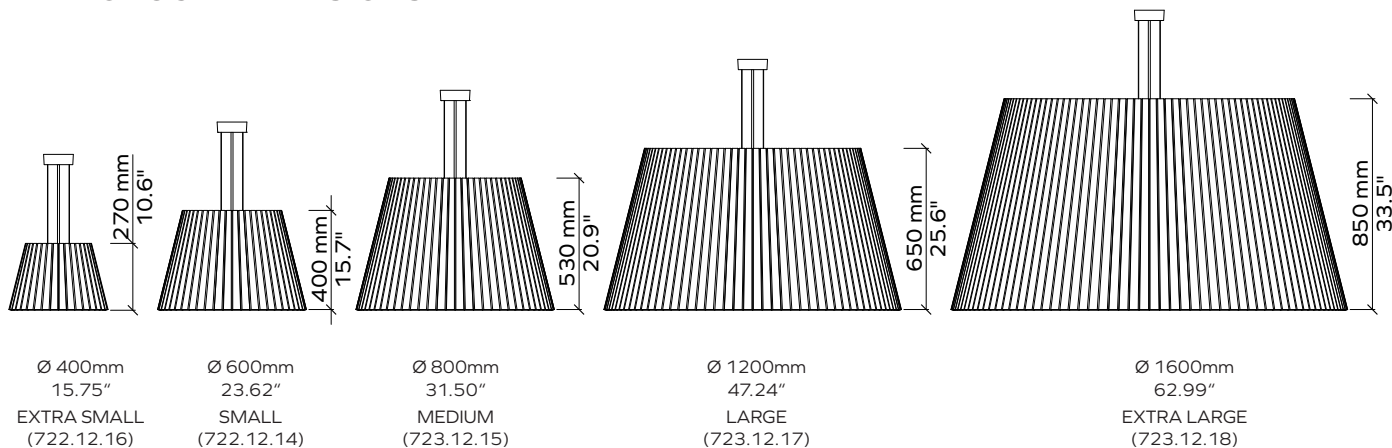
habitatmatter.com
spec@habitatmatter.com

Spark

Acoustic Lighting



PRODUCT DIMENSIONS



ARTICLE NUMBERS

Lighting Product	Product Size	Color code	CCT	North American Market
722.12.	16 (Extra Small)	Choose color as shown on pg. 3	27 (2700K)	Add an A at the end of the CCT code to indicate this product is for North America
	14 (Small)		30 (3000K)	
	15 (Medium)		35 (3500K)	
	17 (Large)		40 (4000K)	
	18 (Extra Large)			

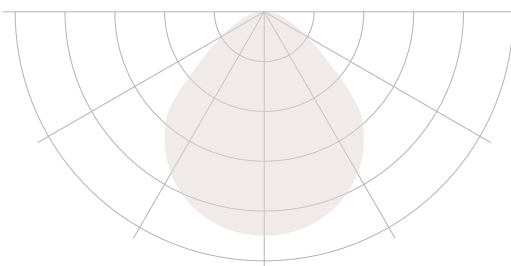
Example: 722.12.14.706.35A

Spark Small [(800x530mm / 31.50x20.87", Spearmint 706 color, 3500K CCT, 110-277V (North America)]

LIGHTING SPECIFICATIONS

	For all sizes (722.12.)
Output	Direct Only
Total Lumen Output (lm)	1580
Wattage	29
Efficacy (lm/W)	54.48
Diffuser	Opal
Beam Angle	108
CCT	2700-3000-3500-4000K
CRI	90+
MacAdam	3
Dimming	0-10V 0.1% DSI/DALI
Driver Location	On-Board

LIGHT DISTRIBUTION GRAPH




CERTIFICATIONS



ARCHISONIC®

Colors

 Material brochure available



Name	Snow White	Milk	Cloud	Smoke	Ground	Charcoal	Slate	Raven
Color Code	500	404	103	442	108	542	444	550
NCS Code	S 0300-N	S 0502-Y	S 1002-B	S 3005-R80B	S 5005-Y20R	S 7502-B	S 4500-N	S 8500-N



Name	Nordic Pine	Grove	Moss	Spearmint	Ice Blue	Succulent	Deep Sea	Marine Blue
Color Code	311	317	439	706	304	712	918	864
NCS Code	S 5030-G10Y	S 7020-G30Y	S 2040-G40Y	S 1010-B90G	S 0510-B	S 3020-B30G	S 5020-R90B	S 4050-R70B



Name	Linen	Shell Pink	Jute	Warm Stone	Terracotta	Soft Coral	Honeycomb	Sunshine
Color Code	107	102	920	105	239	516	139	846
NCS Code	S 1505-Y30R	S 0510-R30B	S 3010-Y30R	S 3010-Y50R	S 4040-Y70R	S 2020-Y90R	S 2050-Y20R	S 1040-Y10R



Name	Garnet	Hot Pink	Poster Red	Electric Orange	Winter Sky	Pacific Ocean	Midnight	Grape
Color Code	724	140	662	464	311	311	810	540
NCS Code	S 5040-R10B	S 2060-R20B	S 1080-R	S 0580-Y70R	S 5030-G10Y	S 5030-G10Y	S 7020-R70B	S 5040-R40B

These NCS codes are the closest visual match available and may not be exact to blended fibres.

ARCHISONIC®

Colors

Experience our ARCHISONIC® Felt material with a stunning selection of 32 colors across 8 distinct families, thoughtfully curated by *Colour Hive* in London. Effortlessly combine colors harmoniously to suit your preferences. Discover more in our Materials brochure and order your free sample box today.

Color fastness

Class 6

ISO 105-B02:A1

Order a free sample box



Spark

Acoustic Lighting



HABITAT
MATTER
habitatmatter.com
spec@habitatmatter.com

ACOUSTIC PERFORMANCE



ISO Standards

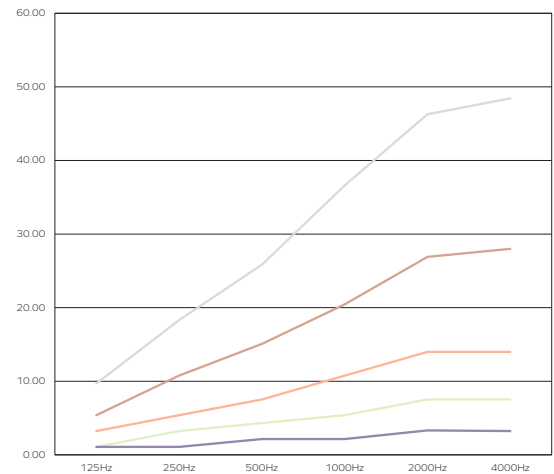
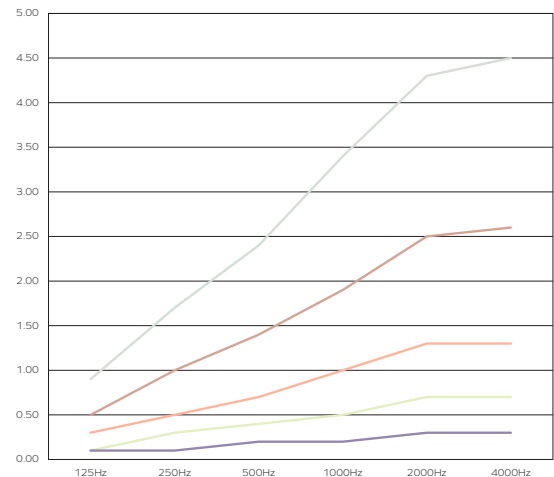
ISO 354:2003	Acoustics — Measurement of sound absorption in a reverberation room
ISO 11654:1997	Acoustics — Sound absorbers for use in buildings — Rating of sound absorption
ISO 20189:2018	Acoustics — Screens, furniture and single objects intended for interior use — Rating of sound absorption and sound reduction of elements based on laboratory measurements

Equivalent ASTM standards

ASTM C423-17	Standard Test Method for Sound Absorption and Sound Absorption Coefficients by the Reverberation Room Method
ASTM E795-16	Standard Practices for Mounting Test Specimens During Sound Absorption Tests

ISO	Equivalent Absorption Surface Area for the object (Aeq) (m ²)				
	XS	S	M	L	XL
Frequency (Hz)					
125	0.10	0.10	0.30	0.50	0.90
250	0.10	0.30	0.50	1.00	1.70
500	0.20	0.40	0.70	1.40	2.40
1000	0.20	0.50	1.00	1.90	3.40
2000	0.30	0.70	1.30	2.50	4.30
4000	0.30	0.70	1.30	2.60	4.50

ASTM	Sabins (ft ²)				
	XS	S	M	L	XL
Frequency (Hz)					
125	1.08	1.08	3.23	5.38	9.69
250	1.08	3.23	5.38	10.76	18.30
500	2.15	4.31	7.53	15.07	25.83
1000	2.15	5.38	10.76	20.45	36.60
2000	3.32	7.53	13.99	26.91	46.28
4000	3.23	7.53	13.99	27.99	48.44



- Extra Small - Ø 400mm
- Small - Ø 600mm
- Medium - Ø 800mm
- Large - Ø 1200mm
- Extra Large - Ø 1600mm

“Just like sound, lighting appeals to the senses and is a driver for a good work environment and contributes to your health and well-being and should be synced with your circadian rhythm. However, if every evening you're the last person to switch off the lights in the office, you might have a tag on your back saying “overachiever”.

– Daniel Verlooven



HABITAT
MATTER

habitatmatter.com
spec@habitatmatter.com

ARCHISONIC®

Material Specification

Product Name	Archisonic® Felt	
Content	100% PET (60% certified post-consumer content)	
Thickness¹	12mm (0.47")	24mm (0.94")
Max. Size	1200x2800mm (47"x110")	1800x2400mm (70"x94")
Acoustic²	ASTM: NRC=0.6 ISO: αw=0.65	ASTM: NRC=0.9 ISO: αw=0.95
Density¹	2400 g/m ² (0.49 lbs/ sqft)	4000 g/m ² (0.82 lbs/sqft)
Color Fastness	Class 6 ISO 105-B02:A1	
Color	32 colors (see Archisonic® Felt Color page for more information)	
Maintenance	For daily cleaning we recommend alcohol solution (75%), e.g. Pantasept. In case of contamination by dust or fluff, use feather duster or a regular vacuum cleaner. For heavy dirt, treat the material with hydrogen peroxide.	
Lead time³	21 days	
Fire Rating	DIN EN 13501-1: B-s1, d0	ASTM E84 Class A
VOC Emission	A+ 28 Days French Regulation	ASTM E84 Pass
Certifications	Declare label, Cradle to Cradle, UL Environmental Product Declaration, Member of US Green Building Council, Ecobau 1st Priority, Climmate-KIC, VOC emissions in LEED EQ credit (low-emitting products), Bream, SCS Recycled Content	
Durability	Contract	

1 - all values are nominal 2 - measured with 300mm air cavity 3 - depending on the location and type of product



Climate-KIC is supported by the EIT, a body of the European Union



Declare.

