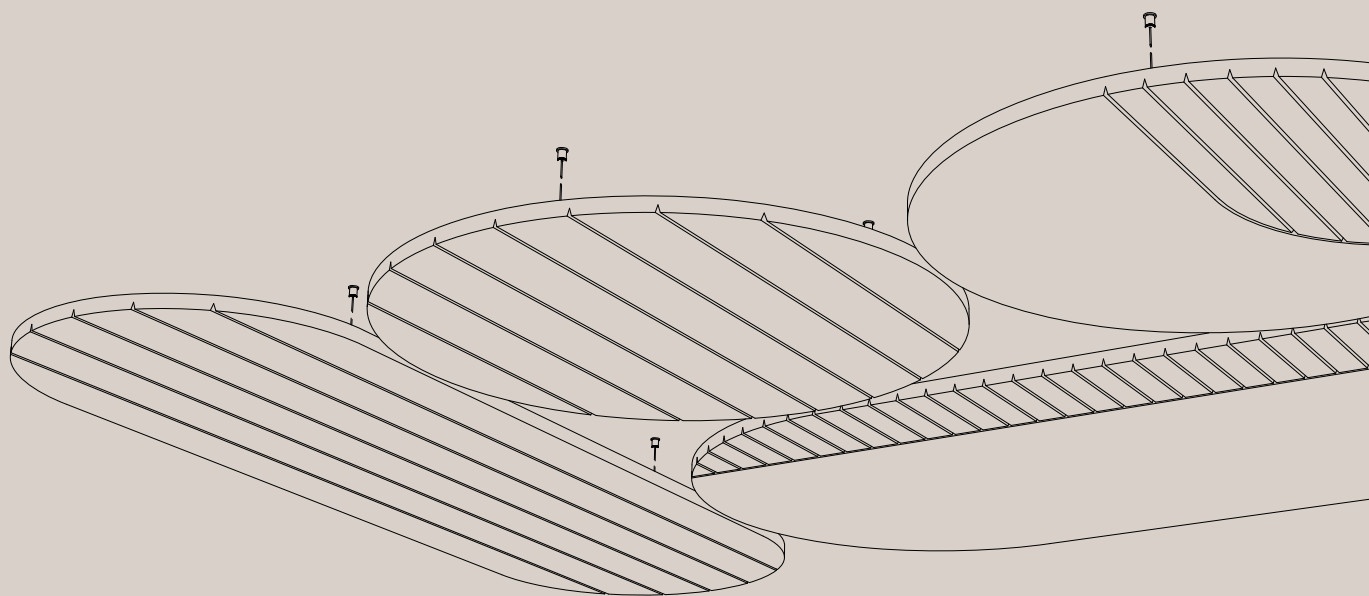


IMPACT ACOUSTIC®



HABITAT  
MATTER

habitatmatter.com  
spec@habitatmatter.com



# Vela

## Ceiling Panels

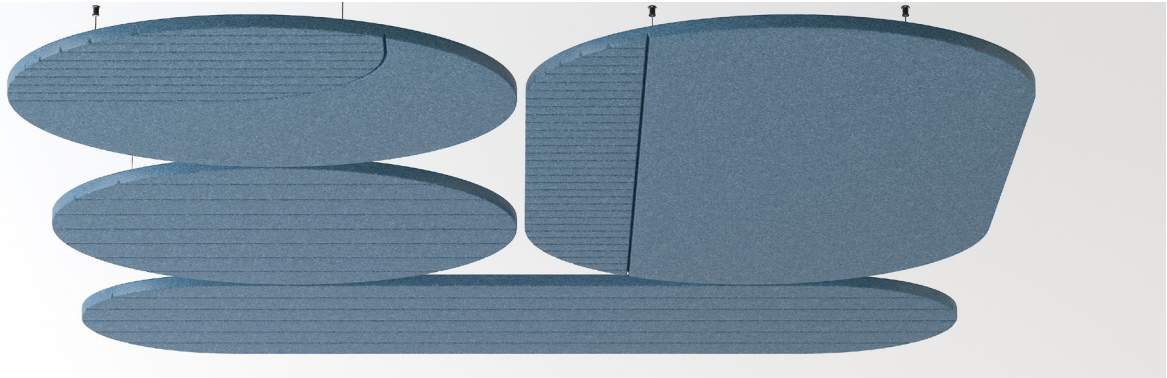
711.24.22.000.00

TECHNICAL DATA SHEET



# Vela Ceiling Panels

## General Information



### Data

#### Applicable article numbers

711.24.22.000.00

#### Dimensions<sup>1</sup>

Width (cluster)	1800mm	70.87"
Length (cluster)	2400mm	94.49"
Material thickness	24mm	0.94"

#### Material

Panel 100% PET (60% post-consumer) in 32 colors.



Extended document available

#### Weight<sup>2</sup>

24mm PET Material 4kg/m<sup>2</sup> kg (±10%) 0.82 lbs/ft<sup>2</sup> (±10%)

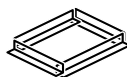
(for specific product weight please refer to Geometry Information pages 4)

### Included

Ceiling Panels  
4pcs



Installation Kit



Installation  
guide



Warranty  
2 years<sup>3</sup>



1 - all dimensions are nominal 2 - all weight values are nominal 3 - Impact Acoustic warranty terms apply

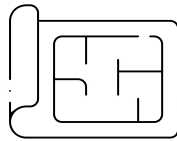


# Vela Ceiling Panels Specification Guide

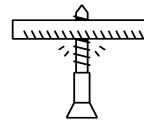
Ensure you make the perfect choice by choosing our solutions for your next project. To get started, simply define some basic information and constraints about your space. Then explore our range of standard solutions or contact us directly for a more in-depth discussion of personalised customized options.

## 1 Prepare this information:

---



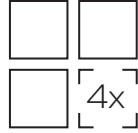
Ceiling Plans (RCP)



Ceiling Type

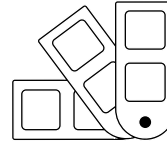
## 2 Specify your Baffles:

---



Number of Modules

page 4

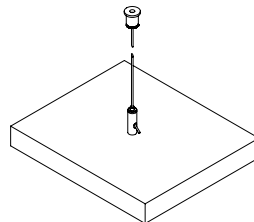


Color

page 6

## 3 Verify installation method:

---



Direct gripper

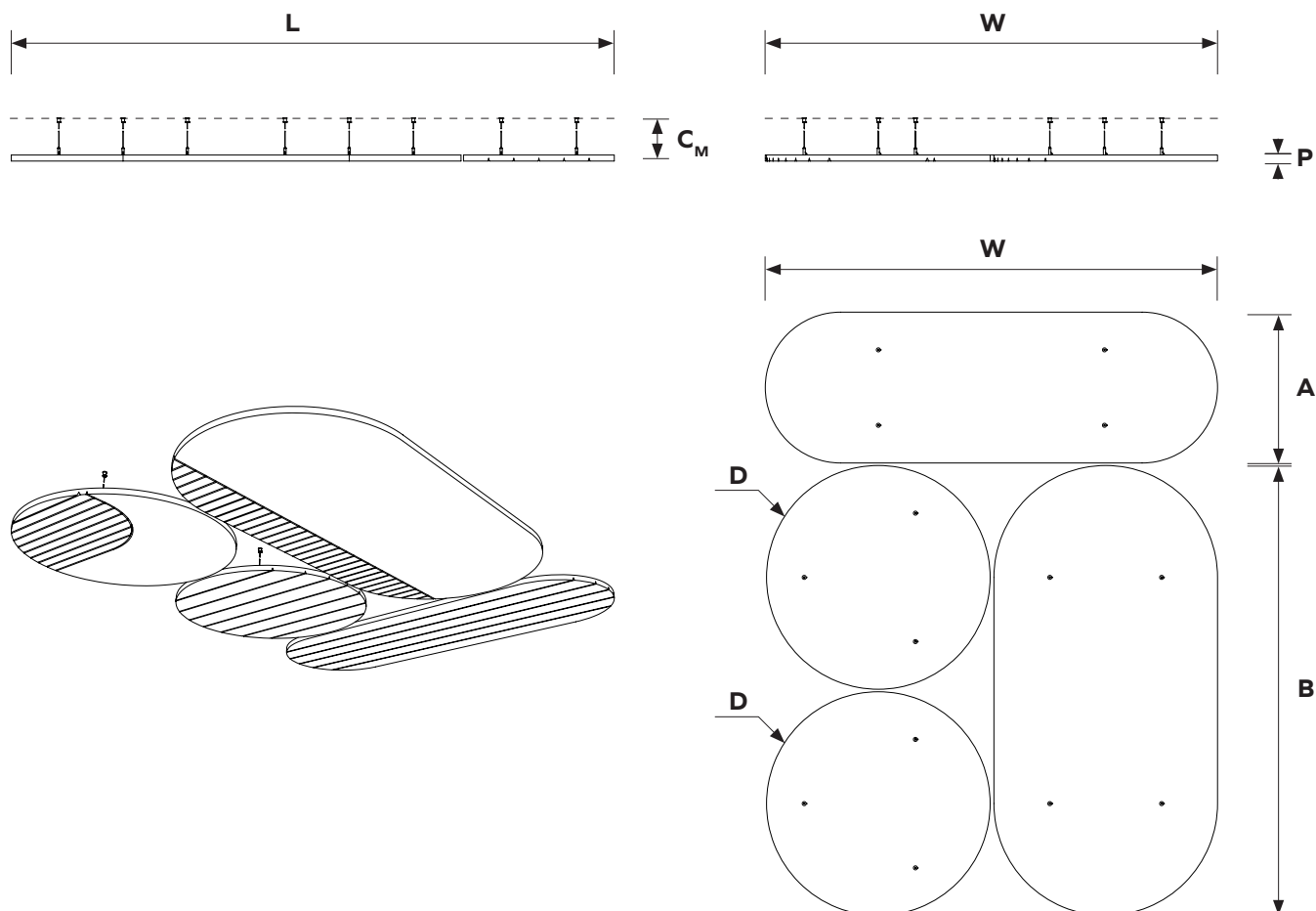
page 5

# Vela Ceiling Panels

## Geometry Information

Custom solutions available

### Ceiling Panel Round 711.24.22.0000.00



Dimensions table <sup>1</sup>

<b>W</b>	Total width	1800mm	70.87"
<b>L</b>	Total length	2400 mm	94.49"
<b>C<sub>M</sub></b>	Distance from ceiling	min. 100 mm	min. 4"
<b>A</b>	Width small element	600 mm	23.62"
<b>B</b>	Length big element	1790 mm	70.47"
<b>D</b>	Diameter round elemnts	890 mm	35.04"
<b>P</b>	PET material thickness	24 mm	0.94"

Weight table <sup>2</sup>

PET panel	14.68 kg	32.36 lbs
-----------	----------	-----------

1 - all dimitions are nominal 2 - all weight values are nominal

**IMPACT ACOUSTIC®**  
Ceiling Panels Vela rev.01 - 11.08.23

(Switzerland)  
(USA)  
(Philippines)

connect@impactacoustic.com  
usa@impactacoustic.com  
philippines@impactacoustic.com

(+41) 41 566 55 55  
(+1) 646 918 1581  
(+63) 285 80 02 50




**HABITAT  
MATTER**

habitatmatter.com  
spec@habitatmatter.com

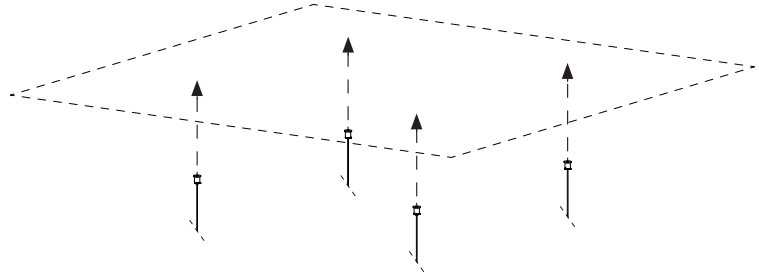
# Vela Ceiling Panels

## Installation Overview

 Extended document available

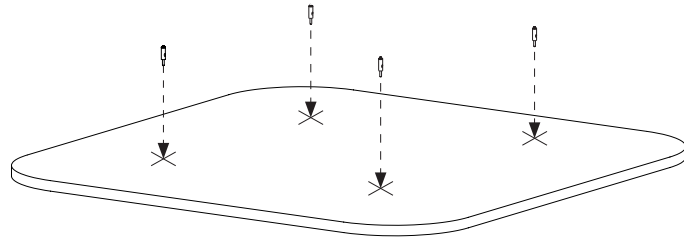
### 1 Attach mounting hardware

Measure the right spacing according to the X marks on the panel and attach mounting cables to the ceiling.



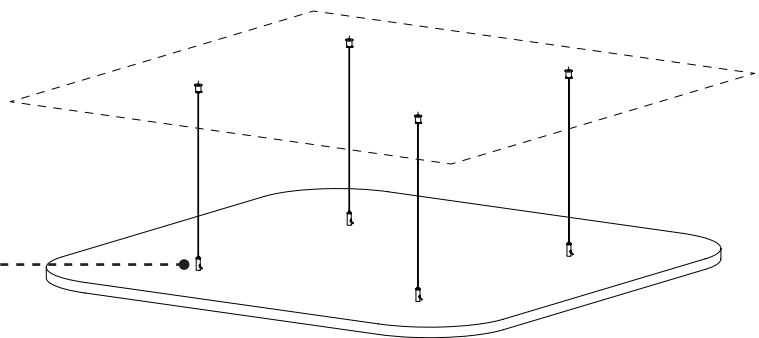
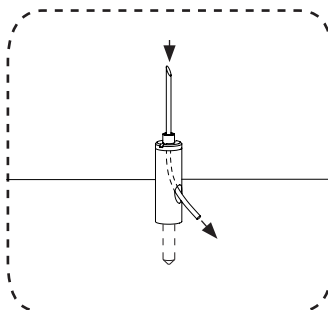
### 2 Attach grippers to the panel

Screw the cable grippers into the panel at the locations indicated by X marks on the panel back surface.



### 3 Connect cables

Pull suspension cables through Grippers and adjust the cable length.



# ARCHISONIC®

## Colors



<b>Name</b>	Snow White	Milk	Cloud	Smoke	Ground	Charcoal	Slate	Raven
<b>Color Code</b>	500	404	103	442	108	542	444	550
<b>NCS Code</b>	S 0300-N	S 0502-Y	S 1002-B	S 3005-R80B	S 5005-Y20R	S 7502-B	S 4500-N	S 8500-N
<b>Name</b>	Nordic Pine	Grove	Moss	Spearmint	Ice Blue	Succulent	Deep Sea	Marine Blue
<b>Color Code</b>	311	317	439	706	304	712	918	864
<b>NCS Code</b>	S 5030-G10Y	S 7020-G30Y	S 2040-G40Y	S 1010-B90G	S 0510-B	S 3020-B30G	S 5020-R90B	S 4050-R70B
<b>Name</b>	Linen	Shell Pink	Jute	Warm Stone	Terracotta	Soft Coral	Honeycomb	Sunshine
<b>Color Code</b>	107	102	920	105	239	516	139	846
<b>NCS Code</b>	S 1505-Y30R	S 0510-R30B	S 3010-Y30R	S 3010-Y50R	S 4040-Y70R	S 2020-Y90R	S 2050-Y20R	S 1040-Y10R
<b>Name</b>	Garnet	Hot Pink	Poster Red	Electric Orange	Winter Sky	Pacific Ocean	Midnight	Grape
<b>Color Code</b>	724	140	662	464	311	311	810	540
<b>NCS Code</b>	S 5040-R10B	S 2060-R20B	S 1080-R	S 0580-Y70R	S 5030-G10Y	S 5030-G10Y	S 7020-R70B	S 5040-R40B

These NCS codes are the closest visual match available and may not be exact to blended fibres.

**ARCHISONIC®**

## Colors

Experience our ARCHISONIC® Felt material with a stunning selection of 32 colors across 8 distinct families, thoughtfully curated by *Colour Hive* in London. Effortlessly combine colors harmoniously to suit your preferences. Discover more in our Materials brochure and order your free sample box today.

## Color fastness

Class 6

ISO 105-B02:A1

## Order a free sample box





# ARCHISONIC®

## Material Specification

<b>Product Name</b>	Archisonic® Felt	
<b>Content</b>	100% PET (60% certified post-consumer content)	
<b>Thickness<sup>1</sup></b>	12mm (0.47")	24mm (0.94")
<b>Max. Size</b>	1200x2800mm (47"x110")	1800x2400mm (70"x94")
<b>Acoustic<sup>2</sup></b>	<b>ASTM:</b> NRC=0.6 <b>ISO:</b> αw=0.65	<b>ASTM:</b> NRC=0.9 <b>ISO:</b> αw=0.95
<b>Density<sup>1</sup></b>	2400 g/m <sup>2</sup> (0.49 lbs/ sqft)	4000 g/m <sup>2</sup> (0.82 lbs/sqft)
<b>Color Fastness</b>	<b>Class 6</b> ISO 105-B02:A1	
<b>Color</b>	<b>32 colors</b> (see Archisonic® Felt Color page for more information)	
<b>Maintenance</b>	For daily cleaning we recommend alcohol solution (75%), e.g. Pantasept. In case of contamination by dust or fluff, use feather duster or a regular vacuum cleaner. For heavy dirt, treat the material with hydrogen peroxide.	
<b>Lead time<sup>3</sup></b>	21 days	
<b>Fire Rating</b>	DIN EN 13501-1: <b>B-s1, d0</b>	ASTM E84 <b>Class A</b>
<b>VOC Emission</b>	<b>A+</b> 28 Days French Regulation	ASTM E84 <b>Pass</b>
<b>Certifications</b>	Declare label, Cradle to Cradle, UL Environmental Product Declaration, Member of US Green Building Council, Ecobau 1st Priority, Climmate-KIC, VOC emissions in LEED EQ credit (low-emitting products), Bream, SCS Recycled Content	
<b>Durability</b>	Contract	

1 - all values are nominal 2 - measured with 300mm air cavity 3 - depending on the location and type of product



Climate-KIC is supported by the EIT, a body of the European Union



**Declare.**

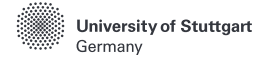




# Vela Ceiling Panels

## Acoustic Performance

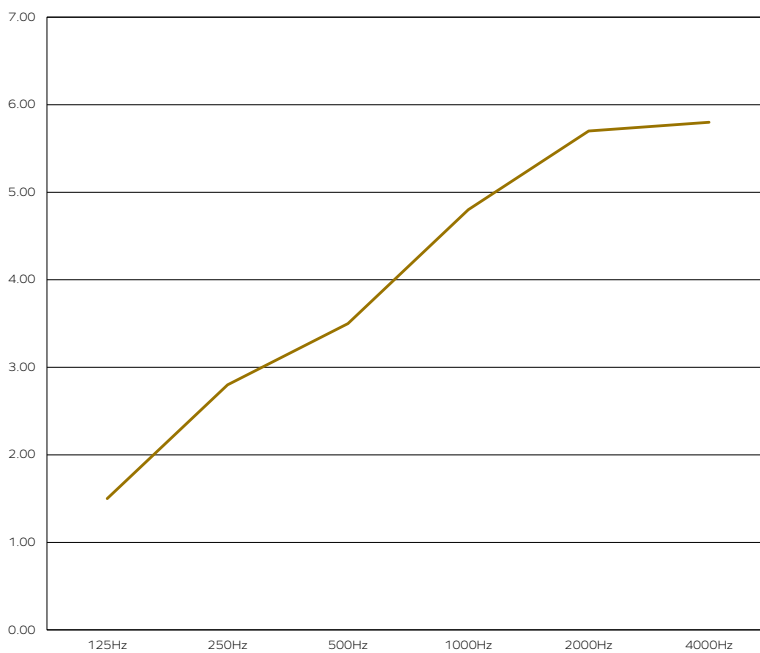
### Testing Standards



ISO 354:2003	Acoustics — Measurement of sound absorption in a reverberation room
ISO 11654:1997	Acoustics — Sound absorbers for use in buildings — Rating of sound absorption
ISO 20189:2018	Acoustics — Screens, furniture and single objects intended for interior use — Rating of sound absorption and sound reduction of elements based on laboratory measurements
ASTM C423-17	Standard Test Method for Sound Absorption and Sound Absorption Coefficients by the Reverberation Room Method
ASTM E795-16	Standard Practices for Mounting Test Specimens During Sound Absorption Tests

### Acoustic Test Results ISO

Frequency (Hz)		125	250	500	1000	2000	4000	$\alpha_w$
24mm Vela	m <sup>2</sup>	1.5	2.8	3.5	4.8	5.7	5.8	NA



### Acoustic Test Results ASTM

### NRC

24mm Vela	0.60
-----------	------

The graph represents the sound absorption coefficients ( $\alpha_s$ ) in the third octave band center frequencies. Measurement used Pink Noise as excitation signal in a reverberant room.





HABITAT  
MATTER

habitatmatter.com  
spec@habitatmatter.com

# Ceiling Panels

## Reference Projects

